

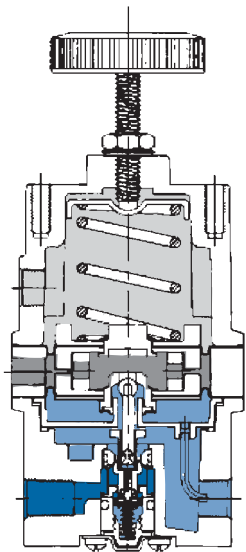
Type 650 Positive Bias Relay


Increases flow capacity plus adds an adjustable bias pressure

Used extensively for increased flow capacity or remote pressure control applications, the Type 650 positive bias relay is a signal operated regulator that provides an output pressure that is the sum of the input signal pressure plus an adjustable preset bias. The unit allows flow capacities up to 50 SCFM with minimal pressure drop. The Type 650 is most often used for conversion of a low flow control signal to the higher flow requirements of an operating system.

FEATURES

- **High Flow Capacity**
Allows flows up to 50 SCFM
- **Four Bias Ranges**
From 0-15 psi to 2-150 psi
- **High Relief Capacity**
Large relief valve provides 15 SCFM relief capacity
- **Balanced Supply Valve**
Rolling diaphragm design makes unit insensitive to supply pressure variation
- **Accurate Pressure Conversion**
High sensitivity achieves accurate conversion of signal to output with no lag



 Supply Pressure	 Output Pressure
 Signal Pressure	 Atmospheric Pressure

Principle of Operation

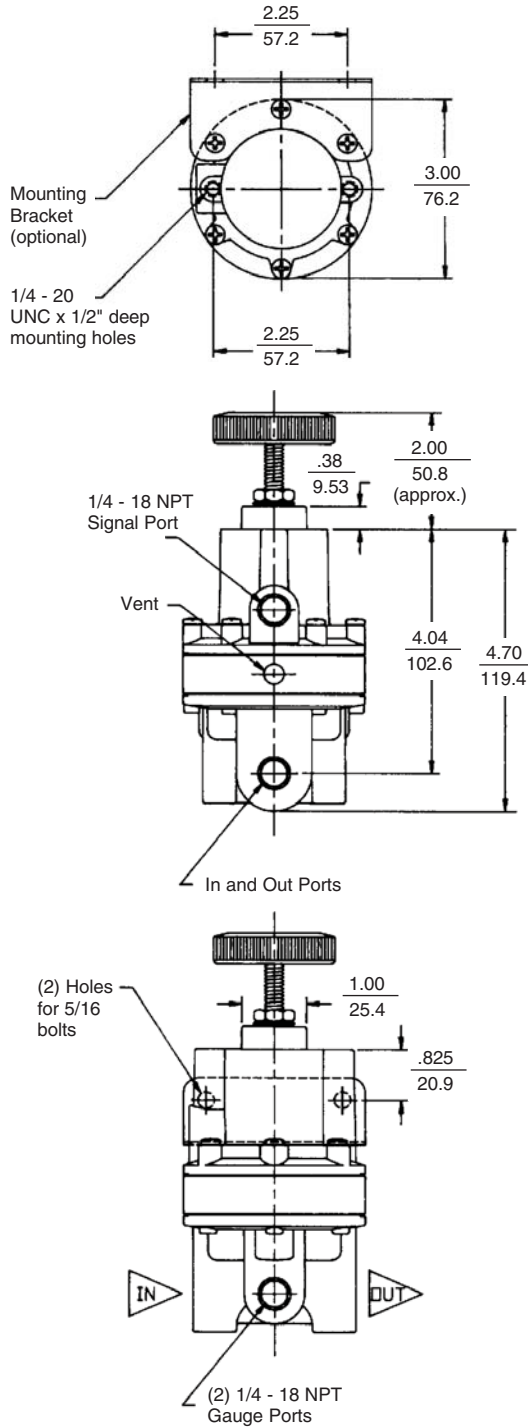
A pressure introduced through the signal port in combination with the bias spring creates a downward force on the upper diaphragm area. This force is balanced by the output pressure acting against the lower control diaphragm area. If signal pressure and/or bias spring force is increased above the output pressure then there is a net downward force on the diaphragm assembly causing the supply valve to open. Output pressure increases until equilibrium is achieved.



ControlAir Inc.

Type 650 Dimensions

Dimensions are $\frac{\text{in}}{\text{mm}}$



Type 650 Specifications

Flow Capacity	50 SCFM (76.5 m3/hr) at 100 psig (700 kPa) supply with 20 psig (140 kPa) output
Exhaust Capacity	15 SCFM (25.5 m3/hr) Downstream 5 psig (35 kPa) above set pressure
Sensitivity	1/4" (3.2 mm) water column
Effect of Supply Pressure Change	0.1 psi for a 50 psig change
Maximum Supply Pressure	250 psig (1750 kPa)
Maximum Signal Pressure	150 psig (1034 kPa)
Maximum Output Pressure	150 psig (1034 kPa)
Ambient Temperature Limits	-40°F to 160°F (-40°C to 71°C)
Weight	1.75 lbs. (635 gm)
Mounting	pipe, panel or bracket
Materials	Body: Diecast aluminum Internal Components: Stainless steel, brass, plated steel, acetal Diaphragm: Nitrile elastomer and polyester fabric Knob: ABS plastic.

Ordering Information

Model Number	Port Size (NPT)	Bias Range	
		(psi)	(kPa)
650-BC	1/4"	0-15	0-105
650-BD	1/4"	0-30	0-200
650-BE	1/4"	0-60	0-400
650-BF	1/4"	0-150	0-1000
650-CC	3/8"	0-15	0-105
650-CD	3/8"	0-30	0-200
650-CE	3/8"	0-60	0-400
650-CF	3/8"	0-150	0-1000

Options

Add proper letter at end of model number.

- E** - Tapped Exhaust - 1/8" NPT port allows captured exhaust
- T** - Tamperproof Cover - prevents casual adjustment of bias setting
- Z** - Negative Bias - built in -4 ± 1 psig bias

Accessories

Accessories	Part Number
Mounting Bracket	446 707025
Gauge 0-15 psi	446 725003
Gauge 0-30 psi	446 725004
Gauge 0-60 psi	446 725001
Gauge 0-160 psi	446 725002



8 Columbia Drive / Amherst, NH 03031 USA
 Website: www.controlair.com
 Email: sales@controlair.com
 603-886-9400 FAX 603-889-1844

