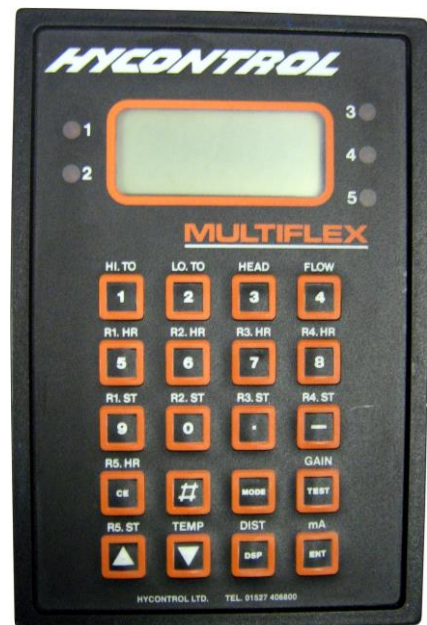
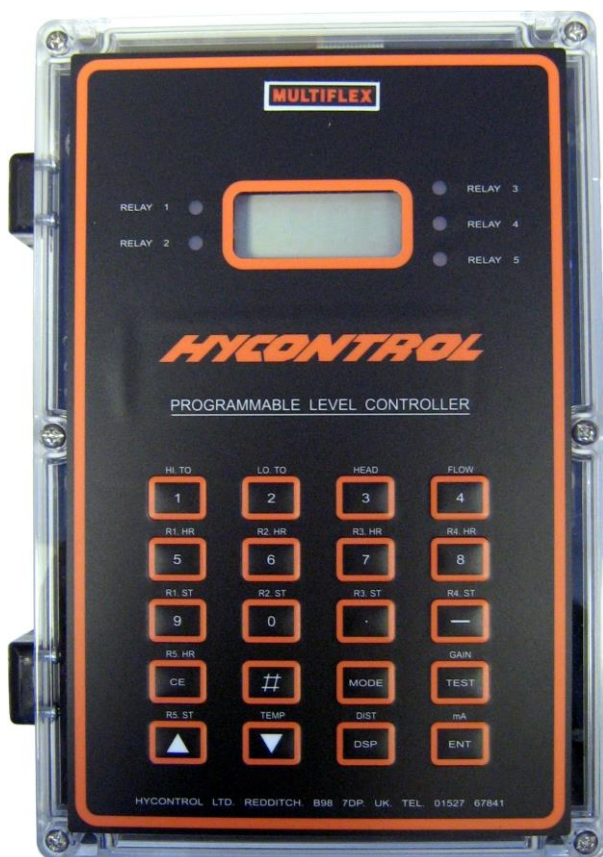


HYCONTROL

LEVEL MEASUREMENT SOLUTIONS

MULTIFLEX PROGRAMMABLE LEVEL CONTROLLER

INSTALLATION AND OPERATION MANUAL



Hycontrol Limited, Larchwood House, Orchard Street,
Redditch, Worcestershire, B98 7DP, UK.
Tel: +00 44 (0)1527 406800 Fax: +00 44 (0)1527 406810
Email: sales@hycontrol.com Web: www.hycontrol.com

MULTIFLEX USER MANUAL - INDEX

		<u>Page</u>	<u>Drawings</u>
Section 1	Introduction	1	
	Installation	2	
	Transceiver Wall Mounting	2	Fig. 1
	Transceiver Wall Mount Wiring	3	Fig. 2
	Transceiver Panel Mounting	4	Fig. 3
	Transceiver Panel Mount Wiring	4-5	Fig. 4
	Transducer Mounting	6-8	Fig. 5-7
	Transducer Standpipe Mounting	8	
	Transducer Extensions for Wall Mount	9	Fig. 8-9
Transducer Extensions for Panel Mount	10	Fig.10-11	
Section 2	Quick Start	11	
	Quick Start Guide	11	
	Principle of Programming	11	
	Keypad Definitions	12	
	To View Parameters	13	
	Programming Example	14	
	Programme Checking & Correction	15	
Section 3	Programming	16	
	Display Descriptions	16	
	Security Code	17	
	Application Programming	18	
	Entering a New Programme	19	
Section 4	Parameter Index	20	
	Parameter Definitions	21-36	
Section 5	Examples	37	
	1. Level Measurement Mode	37	
	2. Contents, Volume Conversion	38	
	3. Pump Control	39	
	4. Differential	40	
	5. Open Channel Flow	41	
	6. Open Channel Flow with Penstock	42	
Section 6	Commissioning Fault Finding	43-46	
APPENDIX 1	LINEARISATION OF SPECIAL VESSELS OR FLUMES	47-50	
APPENDIX 2	SERIAL COMMUNICATIONS	51-52	
APPENDIX 3	SPECIFICATIONS & ATEX INSTRUCTIONS	53-55	
APPENDIX 4	PARAMETER SETTINGS	56	

MULTIFLEX PROGRAMMABLE LEVEL CONTROLLER**USER MANUAL****INTRODUCTION***Major changes from previous issue*

1. *Transducer information corrected*
2. *General layout improvements*

Multiflex is a programmable multi-purpose level measurement instrument suitable for both solids and liquid applications. It consists of two elements: a wall or panel mounted transceiver which has a display and an integral keypad for programming, and a transducer which must be mounted directly above the surface to be monitored.

Ultrasonic pulses are transmitted by the transducer to the surface of the product to be monitored and are reflected back to the transducer. The time period between transmission and reception of the sound pulses is directly proportional to the distance between the transducer and the product.

Since the speed of sound through air is affected by changes in temperature, an integral temperature sensor may be fitted in the transducer to improve accuracy.

Multiflex is capable of the following functions:-

- a) Level Measurement (height above datum)
- b) Distance Measurement (distance from datum)
- c) Volume Measurement
- d) Differential Level Measurement
- e) Open Channel Flow Measurement (O.C.M.)
- f) Pump Control

WARNING

**DO NOT OPEN THE WALL-MOUNT TRANSCEIVER
TERMINAL COVER WHEN THE POWER IS ON TO
THE SUPPLY OR RELAY TERMINALS.**

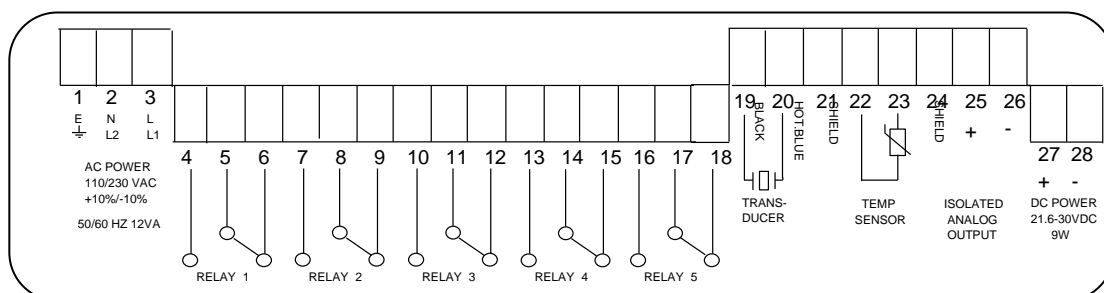
IMPORTANT INSTALLATION REQUIREMENTS

- 1: A SWITCH OR CIRCUIT BREAKER SHALL BE INCLUDED IN THE INSTALLATION**
- 2: IT SHALL BE IN CLOSE PROXIMITY TO THE EQUIPMENT AND WITHIN EASY REACH OF THE OPERATOR**
- 3: IT SHALL BE MARKED AS THE DISCONNECTING DEVICE FOR THE EQUIPMENT**
- 4: FOR ATEX INSTALLATIONS REFER TO APPENDIX 3**

Wall Mount Wiring

The instrument has two-part screw terminals. It can be powered from either AC or DC.

Figure 2:



AC power supply connected:

Earth Terminal 1
Neutral Terminal 2
Live Terminal 3

The instrument will automatically select either 110V or 230VAC $\pm 10\%$, 50Hz or 60Hz, 12VA. A time lag fuse T160mA is fitted.

DC power supply connected:

Positive +ve Terminal 27
Negative -ve Terminal 28

The instrument will accept 24VDC + 25%, - 10%. 9W. A time lag fuse T315mA is fitted.

5 SPDT Relays - rated at 8A/250VAC/30VDC resistive, with gold contacts for lower power switching, are connected at terminals 4 to 18 for activating external alarms, contactors, pumps etc.

Transducers without T-Comp **R*VK15** & **R*VK15-ATEX** are connected:

Black Terminal 19
Blue Terminal 20
Screen Terminal 21

Transducers with T-Comp **R*TK15** & **R*TK15-ATEX** are connected:

Screen Terminal 19
Blue Terminal 20
Black Terminal 22

For cable extensions refer to Page 9.

Transducer Compatibility

SW Ver	Transducers not ending with -ATEX				RYVK15-ATEX RWVK15-ATEX		RYTK15-ATEX RWTK15-ATEX	
	Without T-Comp		With T-Comp		Without T-Comp		With T-Comp	
	< UL.05	> UL.06	< UL.05	> UL.06	< UL.05	> UL.06	< UL.05	> UL.06
OK	Yes	Yes	Yes	Yes	No	Yes	No	Yes
Pr.36	N/A	2	N/A	2	N/A	1	N/A	1
Pr.37	1	1	2	2	No	1	No	2

Note:

Multiflex SW Version **UL.06** fitted as standard from Serial number **MWC1722**.

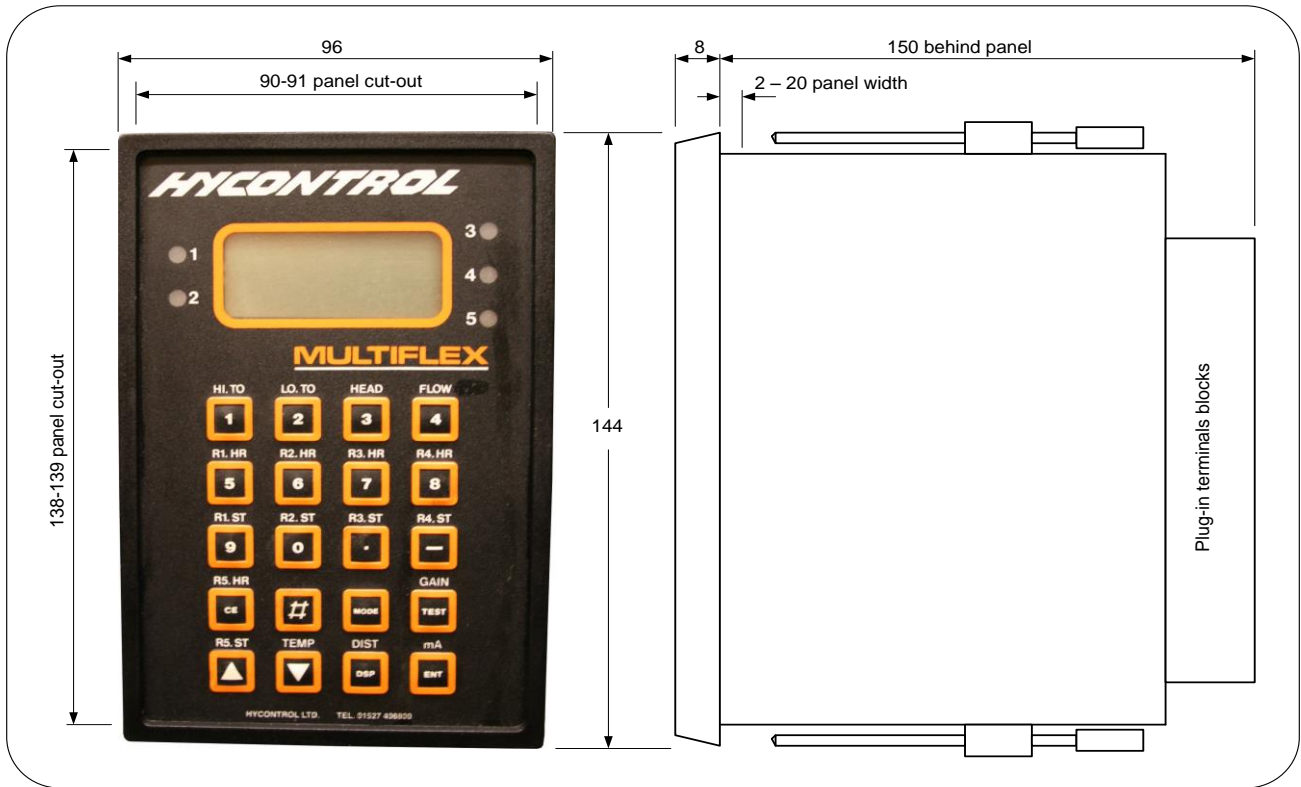
SW Version can be found at **Pr.79** and Serial number at **Pr.95**.

Panel Mount Transceiver

Ensure that the mounting surface is not subject to vibration and is not close to high voltage cables, contactors or drive controls. The unit should not be mounted in a confined space where temperatures may exceed the normal working temperature.

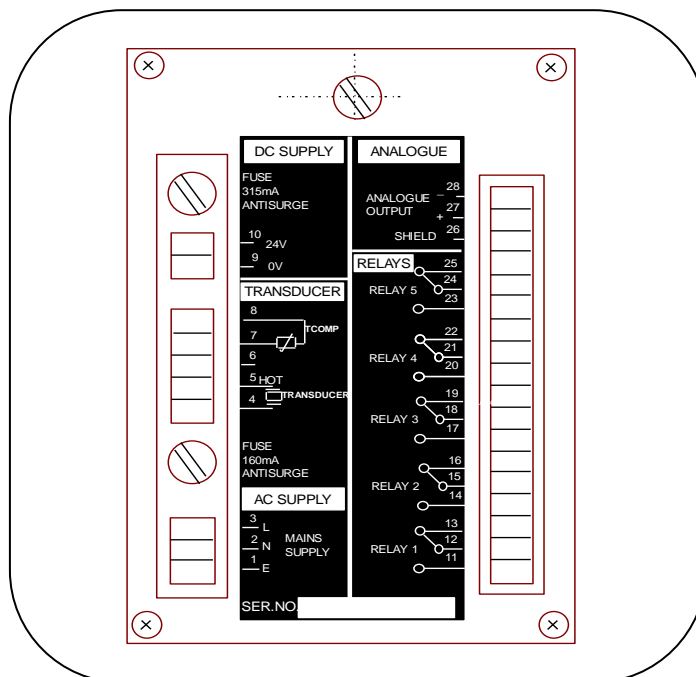
Cut a rectangular hole in your panel as shown below. Insert the instrument from the front of the panel and secure it with the 2 fixing clamps against the back of your panel.

Figure 3:



Panel Mount Wiring

Figure 4:



Panel Mount Wiring cont'd

The instrument has two-part screw terminals. It can be powered from either AC or DC

AC power supply connected:

<u>Earth</u>	<u>Terminal 1</u>
<u>Neutral</u>	<u>Terminal 2</u>
<u>Live</u>	<u>Terminal 3</u>

The instrument will automatically select either 110V or 230VAC $\pm 10\%$, 50Hz or 60Hz, 12VA. A time lag fuse T160mA is fitted.

DC power supply connected:

<u>Positive +ve</u>	<u>Terminal 10</u>
<u>Negative -ve</u>	<u>Terminal 9</u>

The instrument will accept 24VDC + 25%, - 10%. 9W. A time lag fuse T315mA is fitted.

5 SPDT Relays - rated at 8A/250VAC/30VDC resistive, with gold contacts for lower power switching, are connected at terminals 11 to 25, for activating external alarms, contactors, pumps etc.

Transducers without T-Comp **R*VK15** & **R*VK15-ATEX** are connected:

<u>Black</u>	<u>Terminal 4</u>
<u>Blue</u>	<u>Terminal 5</u>
<u>Screen</u>	<u>Terminal 6</u>

Transducers with T-Comp **R*TK15** & **R*TK15-ATEX** are connected:

<u>Screen</u>	<u>Terminal 4</u>
<u>Blue</u>	<u>Terminal 5</u>
<u>Black</u>	<u>Terminal 8</u>

For cable extensions refer to Page 10

Transducer Compatibility

SW Ver	Transducers not ending with -ATEX				RYVK15-ATEX RWVK15-ATEX		RYTK15-ATEX RWTK15-ATEX	
	Without T-Comp		With T-Comp		Without T-Comp		With T-Comp	
	< UL.05	> UL.06	< UL.05	> UL.06	< UL.05	> UL.06	< UL.05	> UL.06
OK	Yes	Yes	Yes	Yes	No	Yes	No	Yes
Pr.36	N/A	2	N/A	2	N/A	1	N/A	1
Pr.37	1	1	2	2	No	1	No	2

Note:

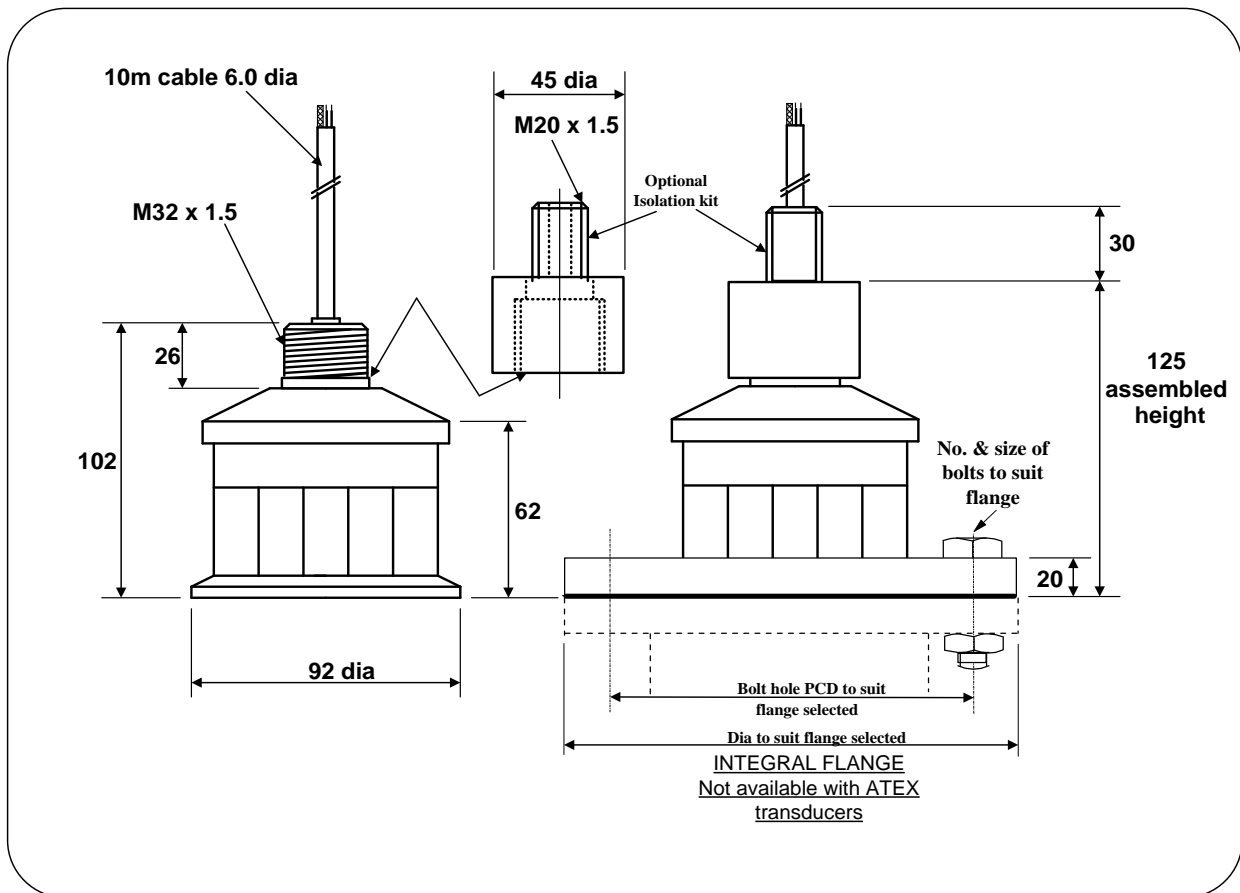
Multiflex SW Version **UL.06** fitted as standard from Serial number **MWC1722**.

SW Version can be found at **Pr.79** and Serial number at **Pr.95**.

Transducer Mounting

The transducers can be supplied as “standard” or mounted in a flange (not ATEX type). For improved chemical compatibility the transducer is available fully enclosed in PVDF in a standard mounting or with a flange (not ATEX type). See Pages 53 & 55.

Figures 5:



An isolation kit is provided with each transducer to minimise any ringing transmitted through the mounting structure. Its use is optional on flanged transducers (for terminating conduit).

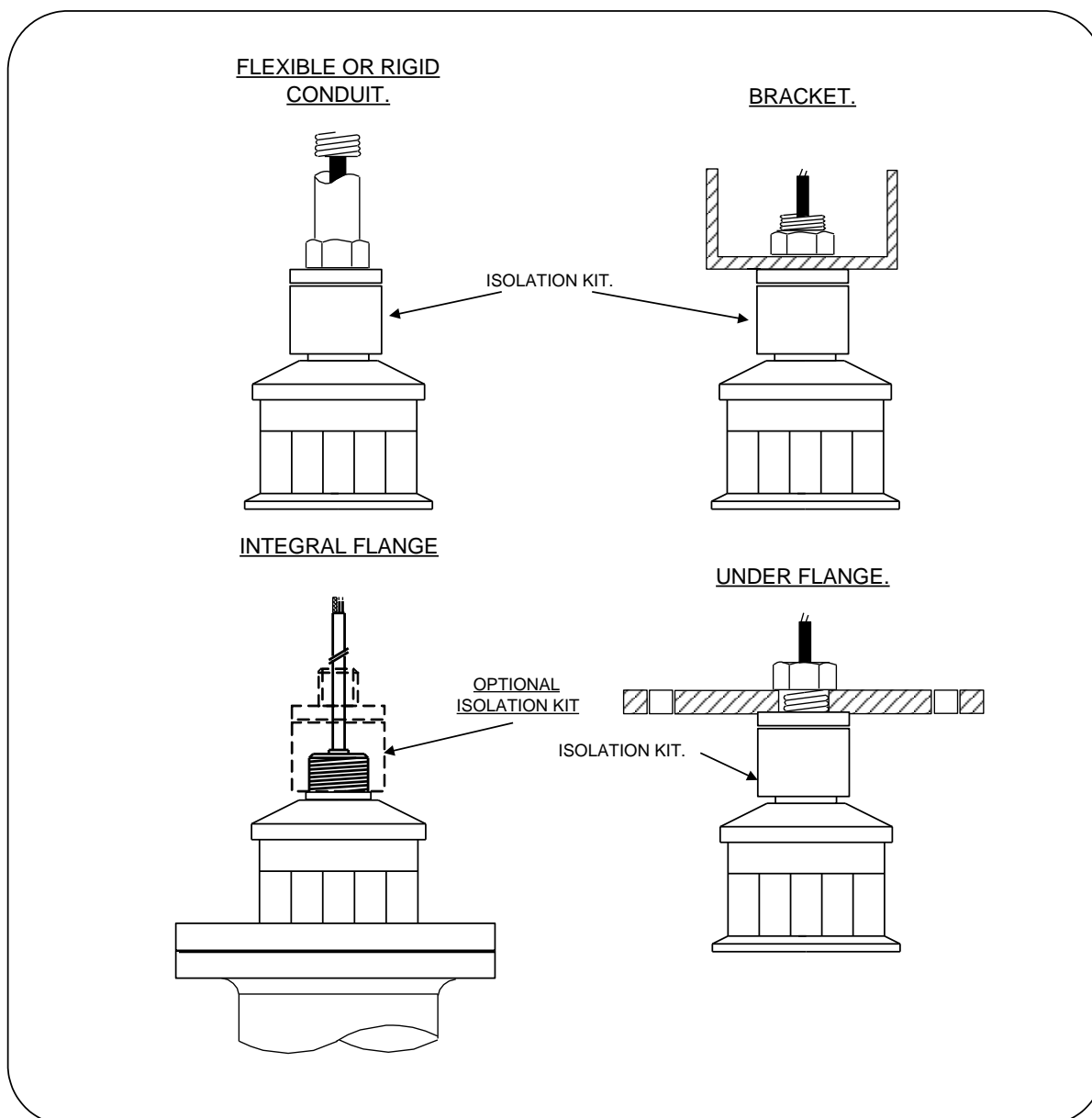
The transducer must be mounted perpendicular to the monitored surface and, ideally, at least 0.5 metres above its maximum level.

The transducer has a 12° inclusive conical beam angle at -3dB and must be mounted with a clear unobstructed sight of the product to be measured, over the complete measurement range.

The transducer is provided with integral cable which can be extended up to 300 metres using a suitable junction box and RG62AU cable for the standard transducer. The temperature compensated transducer requires an additional single core screen extension or twin-axial cable.

Refer to Page 9 or 10 for full details.

Transducer cables should be separated from power cables by at least 150mm and preferably installed in their own earthed steel conduit.

Figure 6: Alternative mounting arrangements for transducers

Do not mount transducers incorporating temperature compensation in direct sunlight.

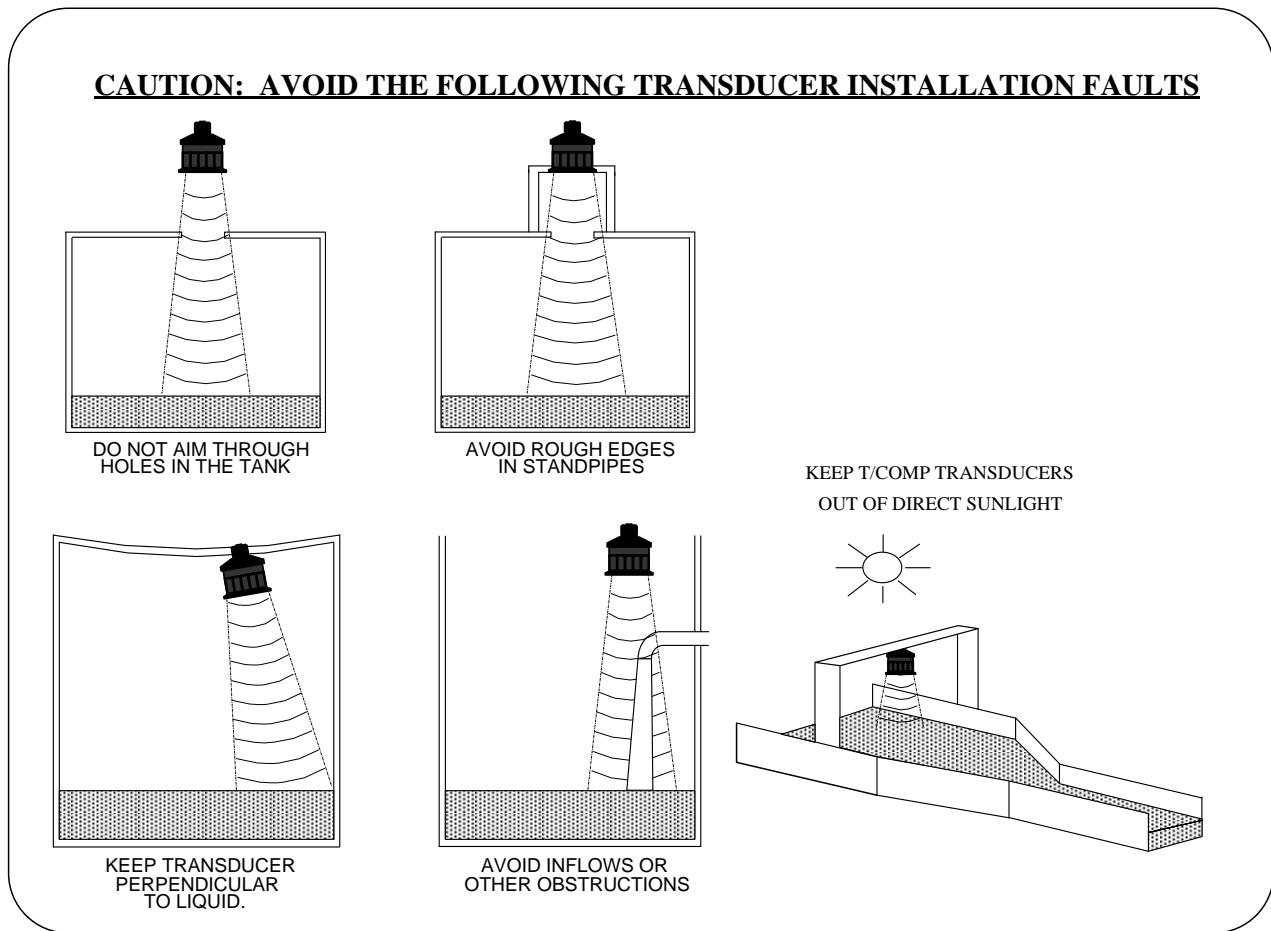
Do not over-tighten the bolts on flange construction transducers.

Flange transducers are not pressure rated and are suitable only for atmospheric pressure.

ATEX approved transducers must be mounted and wired in accordance with the appropriate National Standards concerning installation in hazardous environments for Ex mb equipment. See Page 54

For differential applications mount both transducers at the same height above the zero datum point.

For open channel flow applications the transducer must be mounted upstream of the flume or weir as detailed in BS3680 (usually 3 or 4 times maximum head).

Figure 7:

Standpipe Installations

In many applications access to a vessel must be made via a standpipe. It is necessary to observe some basic rules when fitting transducers into standpipes.

BLANKING: Parameter 5 should always be set at least 150mm longer than the length of the standpipe.

STANDPIPE DIMENSIONS: Should be in accordance with the following table

	<u>Bore of Standpipe</u>	<u>Maximum length of Standpipe</u>
3"	(75mm)	300mm
4"	(100mm)	300mm

E.g. Using a 4" flanged transducer would require the standpipe length to be no more than 300mm and Pr.5 set at 450mm minimum.

Note that 4" / 100mm is the maximum integral transducer flange size.

The inside of the pipe and joint with vessel top must be clean and free of any obstructions, seams or welds.

Transducer Cable Extensions for Wall Mount Instrument

Transducer cables may be extended using a junction box as shown in Figure 8

Note! For ATEX installations refer to BS EN 60079-14 (current issue)

Figure 8:

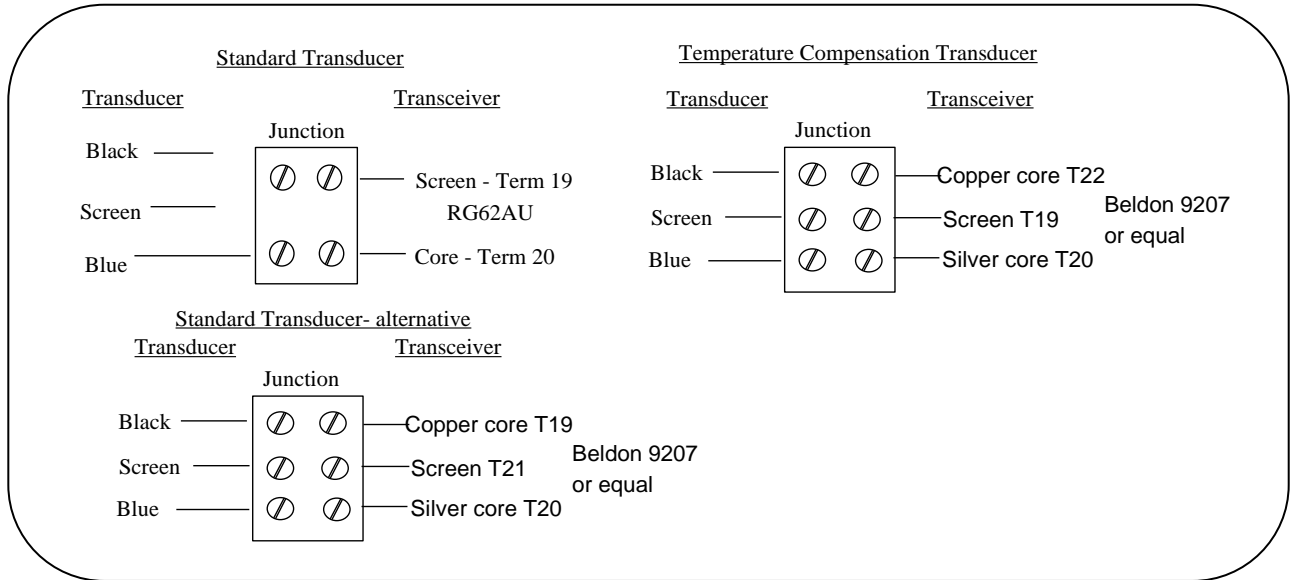
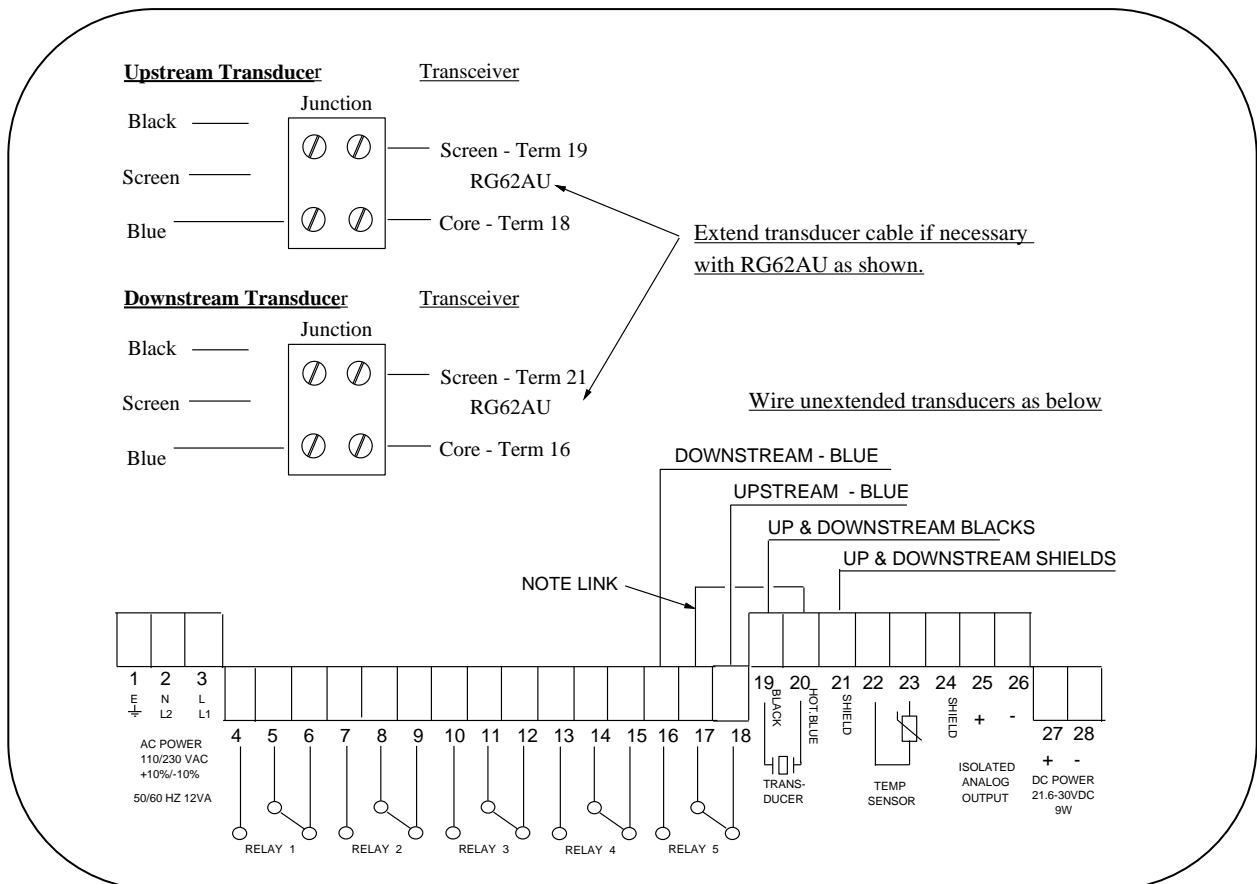


Figure 9: Transducer Wiring for Differential Mode



Transducer Cable Extensions for Panel Mount Instrument

Transducer cables may be extended using a junction box as shown in Figure 10

Note! For ATEX installations refer to BS EN 60079-14 (current issue)

Figure 10:

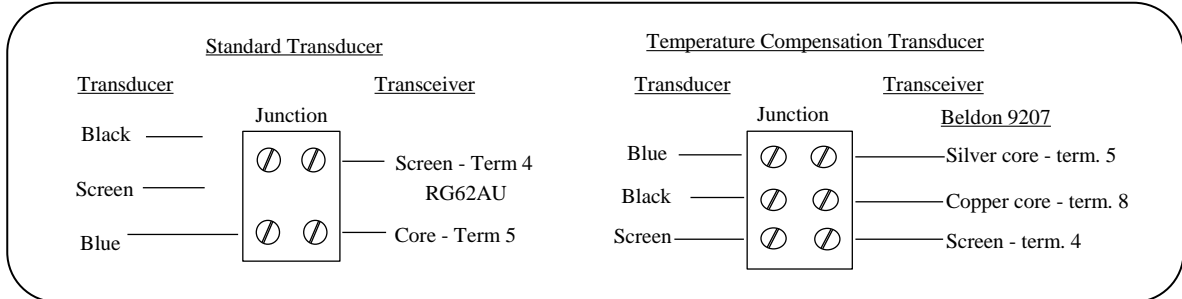
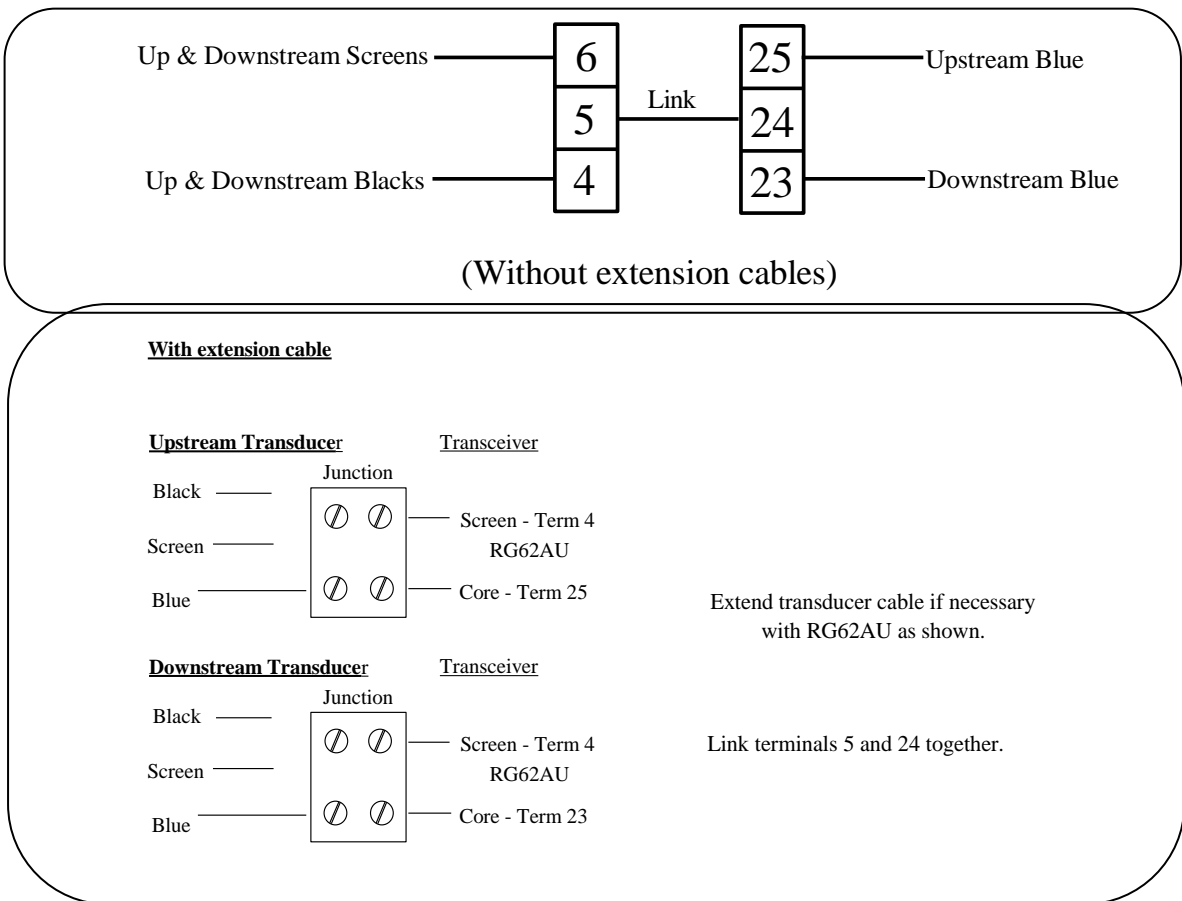


Figure 11: Transducer Wiring for Differential Mode



QUICK START

The Multiflex system requires programming by the operator to obtain the required measurements and control. To create a basic working system, only parameters 1 to 6 need be programmed. To become familiar with the use of the system, the following guide can be used before the instrument is fully programmed.

Quick Start Guide

1. Connect power and transducer cables as previously described.
2. Close the front cover before switching on the power.
The instrument is factory set for distance measurement up to 15m range.
3. Hold the transducer approximately 1.5 metres from a flat surface and switch on.

After a short period, the display will show the distance (e.g. 1.50) between the transducer and the surface.

If the transducer is now moved slowly towards the surface, the reading should decrease. This shows that the unit is correctly wired and is operating as expected in response to the reduction in distance.

If the reading increases as the transducer is moved towards the surface, it indicates that the unit has been previously programmed to read level not distance.

Principle of Programming

The Multiflex has two modes:

- a) RUN (Normal operating)
- b) PROG (Programming)

In the 'RUN' mode, the instrument monitors the target, displaying values and setting outputs as programmed by the operator.

In the 'PROG' mode the operator uses the keypad in conjunction with the display to adjust the settings and to test that the unit is programmed correctly.

Keypad Definitions

The keypad has 20 keys which are used to programme the operation of the instrument. These keys also have secondary functions indicated above them (See Figure 1) enabling the operator to view the results being obtained by the instrument during its normal 'RUN' cycle.

Note! Keypad layouts & functions are the same on Wall Mt. & Panel Mt. instruments.

Primary Key Functions

0 - 9	Numerical Values
—	Decimal Point
—	Negative value (also used to slow down simulation)
CE	Clear Entry (also used to leave test functions Pr.75 to Pr.78.)
#	Returns display to normal 'RUN' mode after viewing secondary functions (also speeds up simulation Pr.78)
MODE	Alternates between 'RUN' and 'PROG' mode.
TEST	Displays gain or confidence in 'RUN' mode and allows parameter interrogation and simulation hold in 'PROG' mode.
'σ'	Increase parameter number (also control of simulation direction).
'τ'	Decrease parameter number (also control of simulation direction)
DSP	Display parameter number/value alternately.
ENT	Enter a new value or initiate a system test under Pr.75 to Pr.78

Active Secondary Key Functions

During normal 'RUN' mode the operator can obtain the data defined as secondary function without interrupting normal operation, by pressing the appropriate key, i.e.:

Keys 1 - 4	Show high totaliser, low totaliser, head and flow when in the OCM mode; head is water level.
Key 5	Relay 1. Hours energised.
Key 6	Relay 2. Hours energised.
Key 7	Relay 3. Hours energised.
Key 8	Relay 4. Hours energised.
CE	Relay 5. Hours energised.
Key 9	Relay 1. Number of times energised.
Key 0	Relay 2. Number of times energised.
—	Relay 3. Number of times energised.
—	Relay 4. Number of times energised.
'σ'	Relay 5. Number of times energised.
Test	Displays gain or confidence.
ENT	Displays mA output.
DSP	Displays distance from the transducer face.
'τ'	Displays temperature.

To View Parameters

The operational programme is contained within the parameters listed on Page 20. Each parameter instructs the unit to carry out a specific function. To look at the complete list of parameters and the options available see Section 4 but as an initial guide proceed as follows:-

Press 'MODE', the display will show 'PROG'. (There may be a delay of up to 6 seconds if the instrument is busy). Press '1' to obtain a display of Pr.01 or the previous parameter number used.

It is now possible to key in any parameter **number**, via the keypad. To display its **value** press 'DSP'. To return to the parameter **number** press 'DSP' again.

To view a sequence of parameter numbers, enter the first one that is of interest and then press 'σ' to increase the parameter number or 'τ' to decrease the parameter number.

Similarly, if a parameter **value** is displayed then pressing 'σ' or 'τ' key will momentarily flash the next parameter **number** and then display that parameter **value**.

Press 'MODE' to return to the 'RUN' mode

If a key is not pressed for a period of 30 seconds the unit will automatically return to the run mode.

To change a Parameter - Programming

Press 'MODE' to display 'PROG'

Whilst 'PROG' is displayed press '1' and the display will show either Pr.01 or previous Pr. number.

If not Pr.01 then press '1' to obtain display of Pr.01.

Press 'DSP' to display the value of Pr.01

Press 'ENT' and the display will show 'COdE' requesting that a security code is entered.

Press '9753' to enter the factory set security code. (See Page 17 to change code).

Press 'ENT' and the display will blink and show either the default value of Pr.01 which is 2, or any other value previously programmed into it.

The unit is now ready to be programmed.

Note: Whenever 'COdE' is displayed, re-enter the security code.

In the previous programme, the display is now showing the value entered in 'Pr.01'.

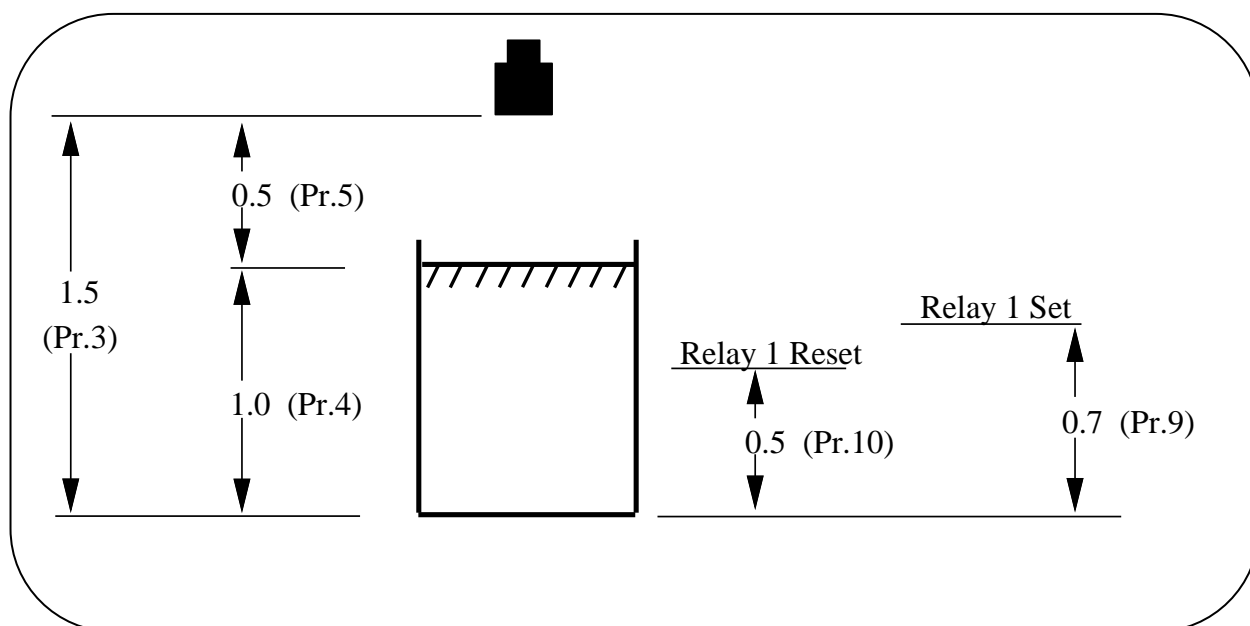
To change the value of this entry press the new value required and press 'ENT'. For our example press 1 and 'ENT' and the value of Pr.01 will change to 1 which means it is in level mode, i.e. measuring product height above datum.

Then using the 'σ' key move to the other parameters that require changing.

To change the value of any other parameter either use the 'σ' key to move to higher Pr numbers, or press 'DSP' and then enter the Pr number required and press 'DSP' again to display its value.

Programming Example

The following example shows how to continue programming from the previous stage to achieve a simple level application including setting a high alarm.



Having changed the value in Pr.1 to 1 (level)

Press	σ	Display	Pr.02 = 2	(units in metres)
	σ	Change	Pr.03 = 1.5	(empty distance)
	σ	Change	Pr.04 = 1.0	(operational span)
	σ	Display	Pr.05 = 0.5	(blanking distance)
	σ	Display	Pr.06 = 1.0	(rate of change of level in metres)
Press	Pr.08	Change	Pr.08 = 1	(relay 1 designated normally energised)
	σ	Change	Pr.09 = 0.7	(relay 1 set)
	σ	Change	Pr.10 = 0.5	(relay 1 re-set)
	MODE	to return to normal running.		

For a full description of parameter options refer to Section 4.

Note: The display does not show the decimal point until the first decimal figure is keyed in.

Programme Checking

To check that the previous programme functions properly, hold the transducer approximately 1.5m above a surface; the display will read approximately zero.

If it displays LOST it is because the transducer is more than the 1.5 metre (distance to furthest point) from your target. Go closer and wait for LOST to change to 0.00 and then to a level display.

By slowly moving the transducer towards the surface the display will increase, simulating a rising level. When the display exceeds 0.7 the relay will switch, indicated by the LED "RELAY 1" and, if the transducer is then raised, the display will decrease and the relay will reset below 0.5.

Programme Correction or Resetting to Factory Defaults

If at any time you feel that a mistake has been made, the following routine clears the programme back to the known starting position of the factory set values shown on Page 56.

It is also advisable to return to the factory default values before building a programme for a new application. This is achieved as follows:-

Press	'MODE'	to display 'PROG'
"	'1'	immediately to display a Pr number.
"	'99'	to display Pr.99
"	'DSP'	to show '===='
"	'CE'	to clear the display
"	'ENT'	to display CODE, requesting the security code.
"	'9753'	
"	'ENT'	the display will now show 'P.rES' followed by 't.rES' and finally '===='
"	'DSP'	to display 'Pr.99'
"	'1'	to display 'Pr.01'. The new programme can now be entered.

The above is a brief introduction.

To understand programming completely it is necessary to read the detailed section describing Programming (Section 3) along with the parameter descriptions (Section 4) and the examples (Section 5) before continuing.

PROGRAMMING

Principle

The principle of programming and the two modes 'run' and 'PROG' have already been described on page 11.

Keypad Definitions

Are fully described on page 12

Display Descriptions

The following display codes are used:-

PROG	Precedes programme mode	
run	Precedes run mode	
Pr.XX	Parameter number	
COdE	Security code request	
'====='	No value	
FULL	Numerical overflow of display) i.e. value too large to display.
-FUL	Negative numerical overflow) Check that Pr.43 is correct.
P.rES	Resetting to factory parameters	
t.rES	Resetting totalisers	
LOSt	Loss of echo	
tESt	System performing a requested test	
gAIN	Gain value being displayed	
HEAd	Head	
FLO	Flow	
HI.tO	Totaliser high 4 digits 9999 (----) max. reading	
LO.tO	Totaliser low 4 digits (----) 9999 max. reading	
deG.C	Temperature °C	
dISt	Distance	
An.OP	Analogue output	

Security Code

The programme includes security code protection. Any operator can display the value of a parameter, but any attempt to enter a new value or perform a test will result in the security code being requested.

The security code is requested by the prompt of 'COdE', if the code is not entered correctly this prompt is re-displayed.

Once the code has been input correctly, it will not be required again whilst the system remains in the 'PROG' mode. The factory set value is 9753.

A new "customers" security code, comprising 4 numerical digits, can be entered via Pr.96, providing the unit is in programme mode. The range of acceptable values is 1000 to 9999. If an invalid code is entered, the instrument will default to a code number 9753.

The code number is scrambled immediately on entry.

If you forget your security code ring your supplier for advice quoting the number stored in Pr.96.

Application Programming

The programming is controlled by the parameters detailed later in this section. Programming is easy to follow because the parameters available to the programmer fall into distinct groups:

Pr.1 - Pr.7	Basic set up
Pr.8 - Pr.22	Relays 1 to 5 designation and settings
Pr.23 - Pr.29	Failsafe operation
Pr.30 - Pr.34	Set the analogue output
Pr.36 - Pr.39	Temperature compensation
Pr.40 - Pr.44	Volume conversion
Pr.45 - Pr.50	Open Channel Flow Metering
Pr.51 - Pr.57	Specialised Pump Control
Pr.62 - Pr.63	Serial Communications
Pr.68 - Pr.70	Select echo detection and processing
Pr.71 - Pr.74	Miscellaneous
Pr.75 - Pr.78	Test Parameters
Pr.95 - Pr.96	Number Stores
Pr.97 - Pr.99	Resets

It can be seen from the above which distinct groups of parameters need to be considered for a particular application. For instance, in an application to measure level, it may be necessary to consider only Pr.1 to Pr.29 which are relative to basic set-up, relays and failsafe.

It is good practice to carry out a programme reset on a new application before starting programming as this will return all parameters to factory defaults and any parameters which are not required for the new application will remain at default, ensuring that the programme runs correctly.

Default values for each parameter are shown in the parameter definition, Section 4, and in the Parameter Setting table, Page 56.

Programming

The following is the programming sequence to set up a unit for operation. If you have not done this before, refer back to Section 2, Quick Start, Page 11.

1. Designing a Programme

From the information contained within this manual and the knowledge of the application, produce on paper the correct values for the parameters required (use Page 56 for the parameter entries).

To help you with this see the examples in Section 5 on Pages 37-42.

Details of all the parameter options are listed on Pages 21-36.

2. Entering a new Programme

Sequence to enter a new programme or to modify the existing one.

- a. Press 'MODE'. When display shows "PROG" press '1' and then press 'DSP' followed by 'ENT'.
- b. Display will show COdE and the security code must be entered (factory default is 9753. For a new code see Page 17).
- c. Display will now show the value of Pr.01 or the last Pr. number used, indicating that the correct security code has been entered.

If the unit is being programmed for a **new** application it is recommended that all parameters are reset to the factory programmed values as follows:-

- d.
 1. Display Pr.99
 2. Press 'DSP' to show '===='
 3. Press 'CE' to obtain a clear display
 4. Press 'ENT' and the display will show 'P.rES' then 't.rES' and then '===='
 5. Press 'DSP' and enter Pr.01
 6. Press 'DSP' to display the value of Pr.01

If a modification is being made to an **existing** programme then the sequence re-commences here.

- e. The new values for any parameter should be input, checking that the value is stored correctly. The parameters can be accessed sequentially using 'σ' and 'τ' keys or individually by entering the required parameter number.
- f. Before entering the 'RUN' mode, the programme can be checked by pressing Pr.78 then 'DSP' then 'ENT'. Multiflex will now simulate the operating programme (except in differential mode) providing display, analogue output and relay functions.

CAUTION: All outputs will work under simulation, so ensure that external connections will not cause damage.

- g. Press 'CE' to leave simulation.
- h. Press 'TEST' to freeze and unfreeze simulation.
- i. When the programme is complete and does not require further modification press 'MODE' to return to the 'RUN' condition.

PARAMETER INDEX**Basic Set-up**

Pr.1	Application
Pr.2	Units
Pr.3	Empty Distance
Pr.4	Operational Span
Pr.5	Blanking Distance
Pr.6	Rate of change
Pr.7	Decimal Display

Relays

Pr.8	Relay 1
Pr.9	Relay 1 Set
Pr.10	Relay 1 Reset
Pr.11	Relay 2
Pr.12	Relay 2 Set
Pr.13	Relay 2 Reset
Pr.14	Relay 3
Pr.15	Relay 3 Set
Pr.16	Relay 3 Reset
Pr.17	Relay 4
Pr.18	Relay 4 Set
Pr.19	Relay 4 Reset
Pr.20	Relay 5
Pr.21	Relay 5 Set
Pr.22	Relay 5 Reset

Failsafe

Pr.23	Failsafe R1
Pr.24	Failsafe R2
Pr.25	Failsafe R3
Pr.26	Failsafe R4
Pr.27	Failsafe R5
Pr.28	Failsafe Analogue
Pr.29	Failsafe Time Delay

Analogue

Pr.30	Analogue Output
Pr.31	Analogue Value Options
Pr.32	Analogue Datum
Pr.33	Analogue Span
Pr.34	Analogue Test

Temperature

Pr.36	Transducer type
Pr.37	Probe Enable
Pr.38	Temp. Compensation
Pr.39	Probe Test

Volume Conversion

Pr.40	Vessel Shape
Pr.41	Dimension 'H'
Pr.42	Dimension 'L'
Pr.43	Display Conversion
Pr.44	Volume Linearisation

Open Channel Flow

Pr.45	Flow Exponent
Pr.46	Max. Flow Rate
Pr.47	Time Base for Flow Rate
Pr.48	Totalise Display Conversion
Pr.49	Control of Ext. Totaliser
Pr.50	Penstock Control

Pump Controls

Pr.51	Pump Sequence
Pr.52	Duty Standby
Pr.53	Pump Exerciser
Pr.54	Pump Tolerance
Pr.55	Pump Maintenance
Pr.56	Run-on-Interval
Pr.57	Run-on-Time

Serial Comms

Pr.62	Serial Comms Enable
Pr.63	Station No.

Echo Detection

Pr.68	Echo Selection Algorithm
Pr.69	Check Search
Pr.70	Echo Velocity

Miscellaneous

Pr.71	Correction Value
Pr.72	Parameter Display
Pr.73	Software Revision Number
Pr.74	Reset Counter

Test Parameters

Pr.75	Digital Output Set
Pr.76	Hardware Test
Pr.77	Transmitter Test
Pr.78	Simulation

Number Store

Pr.95	Serial Number Store
Pr.96	Security Code Store

Reset

Pr.97	Relay Hours/Starts Reset
Pr.98	OCM Totaliser Reset
Pr.99	Full System Reset

NOTE! All other parameters are unused and should not be changed

PARAMETER DEFINITIONS

The parameters define all the options that are available to the operator of the instrument. It may be easier to read these in conjunction with the application examples on Pages 37-42

Note: (D=) factory default entry for that parameter.

Basic Set-up

Pr.1 Basic Application (D=2)

Enter 1 - Level Measurement
 2 - Distance Measurement
 3 - Differential Level Measurement (DLD)
 4 - Open Channel Flow Metering (OCM)

Pr.2 Calibration/Display Units (D=2)

Enter 1 - Feet
 2 - Metres To display in percent of span,
 3 - Inches set Pr.40 to 1.
 4 - Centimetres

The system will be set to work in the specified units but the display can be made to display a percentage, a converted value or a volume (Pr.40).

Note: Any subsequent change of units in Pr.2 (i.e. Pr.2 = 1-4) will reset parameters Pr.3 to Pr.6 to new units and all other parameters will default to factory resets.

Pr.3 Empty Distance (D=15.00)

The distance from the face of transducer to the furthest point away, usually the bottom of the container or channel. Enter the distance in the units selected in Pr.2.

Resolution is a function of this parameter.

Pr.4 Operational Span (D=15.00)

The distance between the furthest and nearest points over which measurement is required. Enter the distance in the units selected in Pr.2

For differential applications, the value required is the maximum difference in the levels to be measured.

Pr.5 Blocking or Blanking Zone (D=0.50)

The distance in front of the transducer, within which the product should not enter, and within which no return echoes will be processed. It is important to ensure that the product being monitored does not enter this zone.

Enter in the units selected in Pr.2

DO NOT REDUCE THE FACTORY SET VALUE WITHOUT REFERENCE TO HYCONTROL.

Pr.6 Rate of Change (D=1.00)

This value should be as small as possible but greater than the maximum rate of change of level. **Do not** change this value unless you know that the rate of change is greater than 1.0m/min or that the system continually 'tracks' a level lower than the actual level.

If it is necessary to change the value, enter the new value in units per minute selected in Pr.2. The suggested range of values is 0.1 to 10 metres/min or the equivalent.

Pr.7 Decimal Display (D=2)

- 0 = No decimal places allowed.
- 1 = Up to 1 decimal place allowed.
- 2 = Up to 2 decimal places allowed
- 3 = Up to 3 decimal places allowed

Relays

The 5 relays can be assigned to various functions depending on the application, as shown below:

Hysteresis is fully adjustable, so for most functions it is necessary to enter both "set" and "reset" values.

The relay state under normal operating conditions is defined as:-

- (e) = normally energised. De-energise when "set" value is reached.
- (d) = normally de-energised. Energise when "set" value is reached.

"Failsafe" functions are detailed in Pr.23 - 27.

The relays can be programmed to give both high and low alarm or to control levels.

E.g.	<u>High alarm</u>	Set: 2.0m	<u>Low Alarm</u>	Reset: 0.5m
		Reset 1.8m		Set 0.2m

The system will automatically configure itself as high or low alarm depending on which of the set and reset entries has the higher value.

Note that on distance measurement only (Pr.1 = 2), the higher value is furthest from the transducer.

Defaults are 0 for relay designations 8, 11, 14, 17 and 20.

Defaults are 0.00 for relay settings 9 & 10, 12 & 13, 15 & 16, 18 & 19, and 21 & 22.

The relays are controlled from parameters 8-22 as follows:-

	Relay 1	Relay 2	Relay 3	Relay 4	Relay 5
Designation	Pr. 8	Pr.11	Pr.14	Pr.17	Pr.20
Set (LED on)	Pr. 9	Pr.12	Pr.15	Pr.18	Pr.21
Reset (LED off)	Pr.10	Pr.13	Pr.16	Pr.19	Pr.22

The application/relay function options are shown on the following tables:-

Pr.8 Relay 1 Designation	BASIC APPLICATION - RELAY FUNCTION		
	Pr.1=1/Pr.1=2 Level/Distance	Pr.1=3 Differential	Pr.1=4 Open Channel Flow
ENTER: 0	Off	Off	Off
1.00	Level Alarm (e)	Level Alarm on Either Transducer (e)	Level Alarm (e)
2.00	Level Control (d)	Differential Alarm (e)	Level Control (d)
3.00	Off	Differential Control (d)	Flow alarm (e)
4.00	Off	Downstream Level Alarm (e)	Off
5.00	Off	Upstream Level Alarm (e)	Off
6.00	Temperature Alarm (e)	Temperature Alarm (e)	Temperature Alarm (e)
7.00	Loss of Echo (e)	Loss of Echo (e)	Loss of Echo (e)
8.00	Run Programme (e)	Run Programme (e)	Run Programme (e)
	(e) = Normally energised (d) = Normally de-energised De-energise to alarm Energise to start (motor)		
Pr.9 Relay 1 Set	For Level/Differential: ENTER values in display unit as selected at Pr.2 For Flow ENTER values in unit selected at Pr.46 For Temperature: ENTER values in deg C. (valid only if probe or RXT fitted) For Totaliser: Refer to Pr.49 For Loss of Echo or Run/Prog. No set/reset entries are required.		
Pr.10 Relay 1 Reset			
Pr.11 Relay 2 Designation	Identical to Pr.8		
Pr.12 Relay 2 Set	Identical to Pr.9		
Pr.13 Relay 2 Reset	Identical to Pr.10		
Pr. 14 Relay 3 Designation	Identical to Pr.8		
Pr. 15 Relay 3 Set	Identical to Pr.9		
Pr. 16 Relay 3 Reset	Identical to Pr.10		
Pr.17 Relay 4 Designation	Identical to Pr.8		
Pr.18 Relay 4 Set	Identical to Pr.9		
Pr.19 Relay 4 Reset	Identical to Pr.10		

Pr.20 Relay 5 Designation	BASIC APPLICATION - RELAY FUNCTION		
	Pr.1=1/Pr.1=2 Level/Distance	Pr.1=3 Differential	Pr.1=4 Open Channel Flow
ENTER: 0	Off	N/A	Off
1.00	Level Alarm (e)	N/A	Level Alarm (e)
2.00	Level Control (d)	N/A	Level Control (d)
3.00	Off	N/A	Flow alarm (e)
4.00	Off	N/A	Off
5.00	Off	N/A	Totaliser Drive (d)
6.00	Temperature Alarm (e)	N/A	Temperature Alarm (e)
7.00	Loss of Echo (e)	N/A	Loss of Echo (e)
8.00	Run Programme (e)	N/A	Run Programme (e)
	(e) = Normally energised De-energise to alarm		(d) = Normally de-energised Energise to start (motor)
Pr.21 Relay 5 Set	For Level/Differential: ENTER values in display unit as selected at Pr.2 For Flow ENTER values in unit selected at Pr.46 For Temperature: ENTER values in deg C. (valid only if probe or RXT fitted) For Totaliser: Refer to Pr.49 For Loss of Echo or Run/Prog. No set/reset entries are required.		
Pr.22 Relay 5 Reset			

Failsafe (D = 3 for all)

On loss of power all relays will de-energise.

For other fault conditions e.g. damaged transducer, the failsafe relay state (after time delay selected at Pr.29), is selectable:-

Pr.23 Relay 1 - Failsafe)

Pr.24 Relay 2 - Failsafe) > Enter 1 - Energise) One option for

Pr.25 Relay 3 - Failsafe) 2 - De-energise) each relay

Pr.26 Relay 4 - Failsafe) 3 - Hold state)

Pr.27 Relay 5 - Failsafe)

NOTE: Relay designated LOSS-OF-ECHO will always de-energise.

Relay 5 Failsafe is not applicable in differential mode.

Pr.28 Analogue and Display Failsafe (D=3)

Enter 1 - Low

2 - High

3 - Hold Value

Pr.29 Failsafe Time Delay (D=120)

Enter value (in seconds) before unit goes to selected failsafe positions.

Minimum value is 30 seconds.

Analogue

Pr.30 Analogue Output (D=1)

- Enter 1 - 4-20mA)
 2 - 20-4mA) > related to span (Pr.4) or Pr.33
 3 - 0-20mA)
 4 - 20-0mA)
 5 - 4-20mA) > will over-range 0-24mA if normal span
 6 - 0-20mA) (Pr.4) is exceeded

The output represents different variables depending on the application mode selected at Pr.1

Limits are defined by Pr.4

Pr. 1 Entry	Application	Output Proportional To
1.00	Level	a) Level b) Vol/mass if Pr.40 is used
2.00	Distance	a) Target distance b) Space vol/mass if Pr.40 is used
3.00	Differential (DLD)	1 = Differential level 2 = Upstream level 3 = Downstream level
4.00	Open Channel Meter (OCM)	1 = Head 2 = Flow

Note: Refer to Pr.34 for output test.

Pr.31 Analogue Value Options (D=1)

In differential mode (Pr.1 = 3)

Enter 1 - difference of two levels - Pr.4 represents maximum differential in levels

2 - upstream level - Pr.4 represents the difference between upstream empty distance Pr.3 and maximum upstream level.

3 - downstream level - Pr.4 represents the difference between downstream empty distance Pr.3 and maximum downstream level.

In OCM mode (Pr.1 = 4)

Enter 1 - for measured head (depth of liquid)

2 - for calculated flow

Pr.32 Analogue Datum (D=0.00)

If an analogue output is required with a zero different from the measurement zero (Pr.3) then an offset defined as a percentage of the measurement span/flow/volume etc., can be entered here. (On a level application, 4mA is shifted upwards)

Pr.33 Analogue Span (D=100)

If an analogue output is required with a span different to that defined for the measurement (Pr.4) then an alternative value defined as a percentage of the measurement span/flow/volume etc., can be entered here. A value of zero is ignored. (On a level application, 20mA is shifted downwards)

Pr.34 Analogue Output Test (D=0.00)

This parameter can be used to examine the last analogue output value set up by the instrument. Also, any value in the analogue output range can be entered for loading to the current output, and can be measured at the output terminals, to test the external analogue circuitry.

Temperature Compensation**Pr.36 Transducer type** (D=1)

1 = R*TK15-ATEX transducers
2 = R*TK15 transducers (non-ATEX)

Pr.37 Temperature Sensor Enable (D=1)

1 = No sensor fitted
2 = Sensor fitted

Pr.38 Compensating Temperature (D=20°C)

If no probe is fitted the vessel temperature may be entered here.

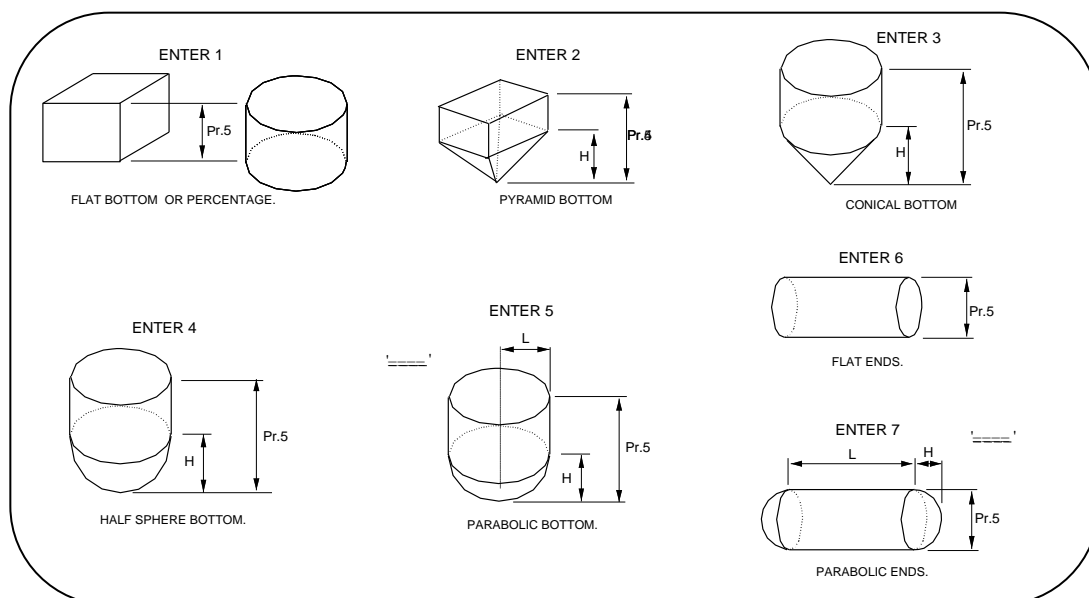
Pr.39 Temperature Sensor Test (D=0.00)

Displays the sensor resistance in K Ohms, typically 9.5 at 20°C.
If value shows '0.00' after switching 'Off' and 'On' then either no sensor is connected, or there is a short circuit or open circuit in the system.

Volume Conversion

Pr.40 Vessel Shape (D=0)

- 0 = no volume conversion
 1 = flat bottomed vessel and percentage of span
 2 - 7 = standard shapes as shown below
 8 = vessel linearisation (see Pr.44)



Pr.41 Vessel Dimension H (D=0.00)

Enter H where indicated above in units selected at Pr.2.

Pr.42 Vessel Dimension L (D=0.00)

Enter L where indicated above in units selected at Pr.2

Pr. 43 Display Conversion (D=1.00)

If Pr.40 entry is between 1 - 8 then enter full scale display $\div 100$ e.g. if 100% = 2000 litres and display is required in litres then set Pr.43 to $(2000 \div 100) = 20$.

To display in any unit enter any value from '0.001' to '99.99'

Note: Display cannot be more than 4 digits. If it is necessary to measure 20,000 units then display in thousands of units by dividing 20 by 100 = 0.2.

Pr.44 Linearisation (D= '====')

This function allows non-standard flumes and vessels to be characterised. For full details please refer to Appendix 1, Pages 47 to 50.

Open Channel Flow Metering

Pr.45 Flow exponent (D=1)

Enter the required value for the open channel flow device being used.

E.g.	<u>Flow Device</u>	<u>Enter</u>
	Unity	1
	Rect. flume 3/2	2
	Rect. weir 3/2	2
	V-notch weir 5/2	3
	Special	4 (Refer to Pr.44)
	Parshall Flumes	5-14 Request Appendix 4

Pr.46 Maximum Flow Rate (D=0.00)

Enter the maximum flow rate in units per second, per minute, per hour or per day, corresponding to maximum head, set at Pr.4 and then define the time base at Pr.47.

Pr.47 Time Base of Maximum Flow Rate (D=1)

Enter the value corresponding to the flow rate time base.

Enter	1	=	units per second
	2	=	units per minute
	3	=	units per hour
	4	=	units per day

Pr.48 Totaliser Display Conversion (D=0)

Used to totalise on the display in flow units larger than those entered at Pr.46 (max. flow rate).

Enter	0	-	Multiples by 1
	1	-	Multiples by 0.1
	2	-	Multiples by 0.01
	3	-	Multiples by 0.001
	4	-	Multiples by 0.0001
	5	-	Multiples by 0.00001
	6	-	Multiples by 0.000001
	7	-	Multiples by 0.0000001

E.g. If Pr.46 is entered as litres, at Pr.48 enter '3' to totalise the flow in cubic metres.

- Notes:**
1. Up to 15 mins of totaliser data can be lost if the unit is powered down.
 2. On returning to RUN mode after accessing PROG, the totaliser will speed up initially to 'catch-up' with the totalised flow.

Pr.49 Control External Counter (D=0.00)

If Pr.20 is set to 5, "Totaliser Drive", then enter the amount which each relay trip is to represent in totalised units. See example 5 on Page 41.

e.g.: If "litres" entered at Pr.46 and Pr.48 is '0' then to totalise in cubic metres enter 1000.

If an entry is made at Pr.48 for the internal totaliser then to use the same unit for an external counter enter '1'.

After making entries in Pr.48 and/or Pr.49, go to Pr.98 to clear and initiate totaliser.

Pr.50 Penstock Control (D=1)

Enter 1 - Off
2 - On

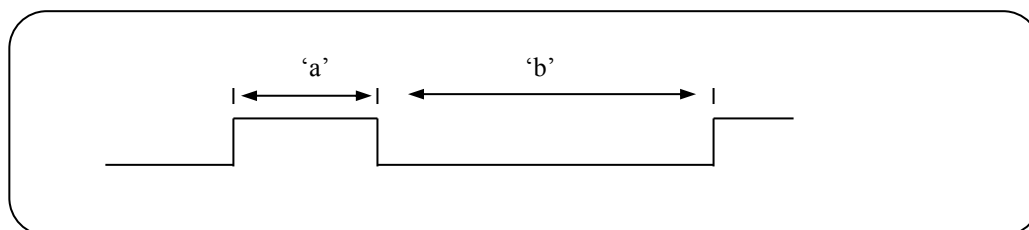
The control system uses relays 1 and 2 to drive a penstock up and down respectively to maintain the flow in a channel within certain limits. Normal connections are to the relay common and normally open contacts.

The designations for relays 1 and 2 are ignored, but the following values must be set.

Pr.9 : Top flow limit) In units defined by
Pr.10 : Bottom flow limit) Pr.46 entry
Pr.12 : Width of drive pulse (seconds)
Pr.13 : Time between drive pulses (seconds)

See example 6 on Page 42.

The penstock drive consists of a pulse train of variable time base which drives the penstock up and down.



The time 'a' is set by Pr.12 and 'b' is set by Pr.13 both in seconds; this allows any shape drive train to be defined.

The control will maintain the flow between two limits, a high limit set by Pr.9 and a low limit set by Pr.10.

If the flow exceeds the value in Pr.9 relay 2 drives the penstock down. If the flow is below the value in Pr.10 relay 1 drives the penstock up.

Pump Controls

Pr.51 Pump Sequencing (D=1)

In order to even out the wear of pumps it is possible to alternate 2 pumps or rotate the lead pump for 3, 4, or 5 pumps; Pr.52 must = 1

- Enter
- 1 - Sequence by set points (i.e. no alternation).
 - 2 - Alternate RL1 and RL2:- 1-2 / 2-1 / 1-2 etc.
 - 3 - Rotate RL1, RL2 and RL3:- 1-2-3 / 2-3-1 / 3-1-2 / 1-2-3 etc.
 - 4 - Rotate RL1, RL2, RL3 and RL4:- 1-2-3-4 / 2-3-4-1 / 3-4-1-2 etc.
 - 5 - Rotate RL1, RL2, RL3, RL4 and RL5:- 1-2-3-4-5 / 2-3-4-5-1 etc.

Pr.52 Duty/Assist/Standby Pump Control D=1)

Duty assist is where pumps are switched on by set point, and kept on to assist earlier pumps. **Duty standby** is where only one of the pumps specified for duty can be on at a time, i.e. when the set point for the second pump is reached and it switches on, the first pump will switch off.

- Enter
- 1 - Duty/assist operation
 - 2 - Duty/standby on pumps 1 and 2
 - 3 - Duty/standby on pumps 1, 2 and 3
 - 4 - Duty/standby on pumps 1, 2, 3 and 4
 - 5 - Duty/standby on pumps 1, 2, 3, 4, and 5

The turn-off points for the pumps can all be the same, or they can be different depending on the chosen "Set" and "Reset" values for each relay.

Pr.53 Pump Exerciser (D=1)

To use this facility, first select alternating duty options 2 to 5 in Pr.51, depending on the number of pumps installed.

Enter the number of starts assigned to Pump 1 before the sequence switches to allow the other pumps to be exercised in turn.

Pr. 54 Pump Tolerance (D=1)

In applications where a greasy topped liquid is being pumped, problems may occur due to build-up of grease at the levels where pumping starts. It is usually necessary for this to be cleared manually. To avoid this, varying the "turn on" point for the pumps by 10% of the set point value causes the build-up to occur over a larger area, significantly reducing the maintenance problem.

- Enter
- 1 - No tolerance applied to pumps
 - 2 - Tolerance applied to all pumps

Note: The pump reset points (Pr.10/13/16/19/22) must be outside the 10% tolerance band of the set points and outside blanking (Pr.05).

Pr.55 Pump Maintenance Dropout (D=0)

The removal of one pump for maintenance can necessitate a great deal of readjustment to ensure correct control. Pr.55 removes this need by allowing one pump to be removed without affecting the control levels. Pumps are re-assigned downwards so that the highest level is not used; therefore, normal control levels are maintained for lower level settings.

Enter 0 - All pumps in
 1 - Drop out pump 1
 2 - Drop out pump 2
 3 - Drop out pump 3
 4 - Drop out pump 4
 5 - Drop out pump 5

- Notes:**
- a. The system assumes that the lower numbered pumps turn on first.
 - b. **CAUTION - A PUMP NOT INCLUDED IN AN ALTERNATING SEQUENCE BUT PROGRAMMED INTO THE FIXED PART OF THE SEQUENCE WILL BE SUBSTITUTED INTO THE ALTERNATING SEQUENCE TO REPLACE A PUMP DROPPED OUT.**
 - c. This feature should not be used if the relays are being used for a mixture of pump control and alarm functions.

Pr.56 Pump Run-on Interval (D=0.00)

When submersible pumps are used, it may be necessary to pump down occasionally to clear the sludge from the bottom of the well. This feature is controlled by Pr.56 and Pr.57. Once in every interval defined by Pr.56, the pump will run-on for the time period defined by Pr.57. Enter the time interval **in hours** between each run-on cycle.

Pr.57 Pump Run-on Time (D=0)

Enter the pump running time **in seconds**. Maximum 120 seconds.
 Only one run-on cycle occurs per interval as set by Pr.56.

Notes:

- a. Caution is required when choosing a value for pump run-on time, as extended pump run-on can lead to cavitation, causing air locks or pump damage.
- b. As overflow can occur, **do not** use pump run-on for pump up operation, leave Pr.56 and Pr.57 at zero.
- c. Care should be taken if pump sequence and pump run-on are defined together, as pump run-on will be assigned to the last pump to turn off, which could be any of those in the sequence.

Miscellaneous

Pr.71 Correction Value (D=0.00)

Both negative and positive values can be input. This value must be entered in the units selected at Pr.2.

This parameter has two uses:

1. It can be used to correct minor reading errors on the display
2. It can be used to prevent loss-of-echo when the target can go further away from the transducer than the programmed distance at Pr.3.
e.g. a) When a channel floor is lower than the zero point of a "V" notch weir.
b) To set an elevated zero level in a vessel which is not normally completely emptied.

Add the extra depth to Pr.3 and enter **minus** the extra depth at Pr.71 in the units selected at Pr.2

Pr.72 Parameter Display (D=0)

The system will display continually the value of:

- | | | |
|-----------------|---|-----------------|
| Gain | - | by entering 67 |
| Temperature | - | by entering 38 |
| Analogue output | - | by entering 34. |

It can be used only for commissioning as it will be lost on power down. It cannot be used in OCM mode (Pr.1 = 4)

Pr. 73 Software Revision Number

Displays the revision number of the software, e.g. UL.06

Pr.74 Reset Counter

This count value gives the number of times that the system has been powered down or reset since the last time the counter was zeroed. It is useful for checking if the power supply is erratic.

Test Parameters

Pr.75 Digital Outputs (D=0)

To aid commissioning and the testing of external wiring when in 'PROG' mode, it is possible to define the status of all five relays.

Press 'DSP' then:-

Enter 0 - To de-energise all relays
 ADD 1 - To energise relay 1
 ADD 2 - To energise relay 2
 ADD 4 - To energise relay 3
 ADD 8 - To energise relay 4
 ADD 16 - To energise relay 5
 E.g. To energise relays 2 and 5, enter '18'

The defined relay state will be maintained until over-written with another entry or until 'PROG' mode times out (6 minutes). The time period can be extended by pressing any key during this period to reset the time-out counter.

Pr.76 Hardware Test

Press 'DSP' then 'ENT' to test LEDs/LCD and relays. The LCD will flash all segments and the LEDs and relays will energise momentarily in sequence.

Press 'CE' to end the test, or let it time out.

CAUTION: USING THIS PARAMETER WILL ENERGISE ALL RELAYS AND WILL OPERATE ANY WIRED-IN CONTROLS.

Pr.77 Transmitter Test

Press 'DSP' then 'ENT', the transmitter will pulse continuously, (made visible by the neon). By the use of an oscilloscope the return echo can be observed if required.

Also useful to ascertain if a transducer is correctly connected, as it will 'click' repeatedly. Press 'CE' to end.

Pr.78 Simulation

The value displayed will depend on the value set in Pr.1.

Press 'ENT' to simulate the operation of the instrument as set up between blanking (Pr.5) and empty distance (Pr.3). The display will depend on mode set in Pr.1.

Mode = 1 (level measurement)	-	LEVEL
= 2 (distance measurement)	-	DISTANCE
= 3 (differential)	-	NO SIMULATION AVAILABLE
= 4 (OCM)	-	LEVEL ONLY, NO FLOW DISPLAY

It will set all LEDs/relays and the current output as programmed. **Therefore, care must be taken if the instrument is wired into other instruments or controls.** The displayed value, on which all relays are operated, is that programmed by the operator.

The initial speed of the simulation is that set into Damping (Pr.6) this can be increased by a factor of 2 by pressing the '#' key and the key can be pressed 6 times (x64). To reduce the speed press the '-' key, the speed cannot be reduced below that defined by Rate of Change, Pr.6.

The direction of the simulation can be changed by using the 'σ' and 'τ' keys, which one has to be pressed depends on the set up. The simulation can be stopped and re-started using the 'TEST' key.

Press 'CE' to end.

Number Store

Pr.95 Serial Number (Viewable only)

This parameter displays the serial number of the instrument.

Pr.96 Security Code Store

A new security code can be entered at this parameter, but after entry it is scrambled. Refer to Hycontrol and quote the number displayed here if you forget your security code.

Resets

Pr.97 Relay Hours/Starts Totaliser Reset (D= '-----')

The totalisers are cleared by entering:

Pr.97 and 'DSP'	to show '====='
Press CE	to clear the screen
Press Enter	to request 'COdE'
Enter 9753	
Press Enter	to show 't.rES' followed by '====='

Pr.98 Clear the OCM Totaliser i.e. HI.TO and LO.TO (D= '=====')

The totalisers are cleared by entering:

Pr.98 and 'DSP'	to show '====='
Press CE	to clear the screen
Press Enter	to request 'COdE'
Enter 9753	
Press Enter	to show 't.rES' followed by '====='

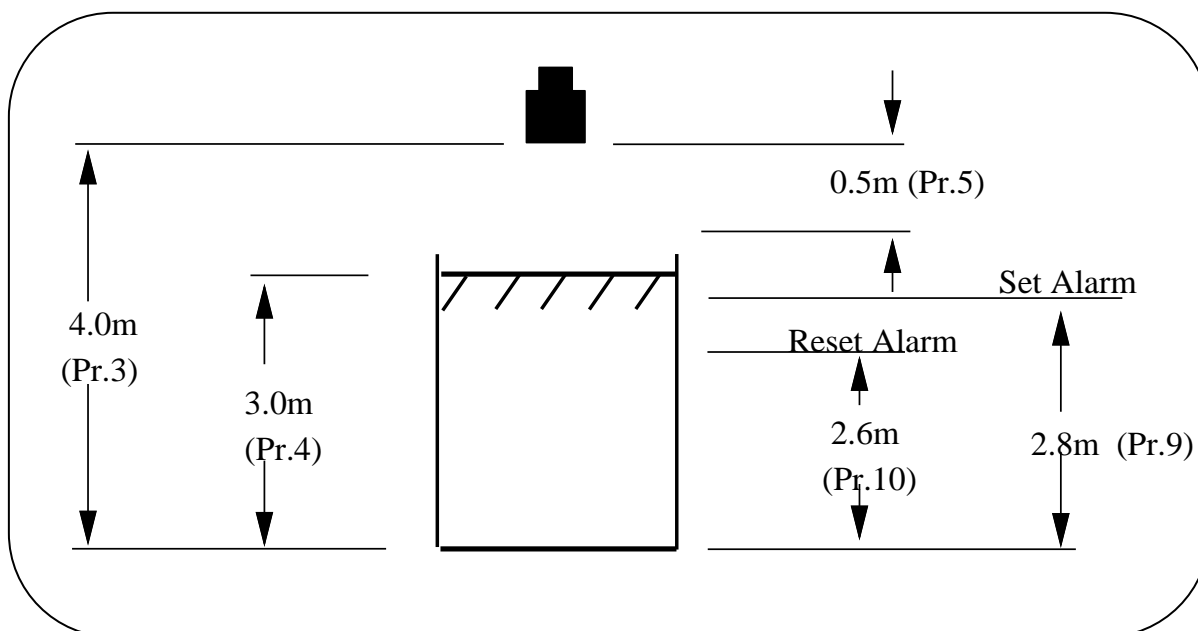
Pr.99 Return to Factory Default

Press 'MODE' to display 'PROG'
 Press '1' **immediately** to display 'Pr.01' or previous Pr. number.
 Press '99' to display Pr.99
 Press 'DSP' to display '===='
 Press 'CE' to clear the display
 Press 'ENT' to display 'COdE' requesting the security code* (see note)
 Press '9753' and 'ENT' to display P.rES followed by t.rES,
 and then '===='
 Press 'DSP' to display 'Pr.99'
 Press '1' the new programme can now be entered

NOTE * Enter your own security code number if you have changed it from factory setting of 9753. (See Page 17)

APPLICATION EXAMPLES**Example 1****Level Measurement Mode** (Pr.1 = 1)

Applications for this mode are Level Measurement, Contents Measurement and Pump Control.



The application:-

To measure and display the level of liquid in metres.

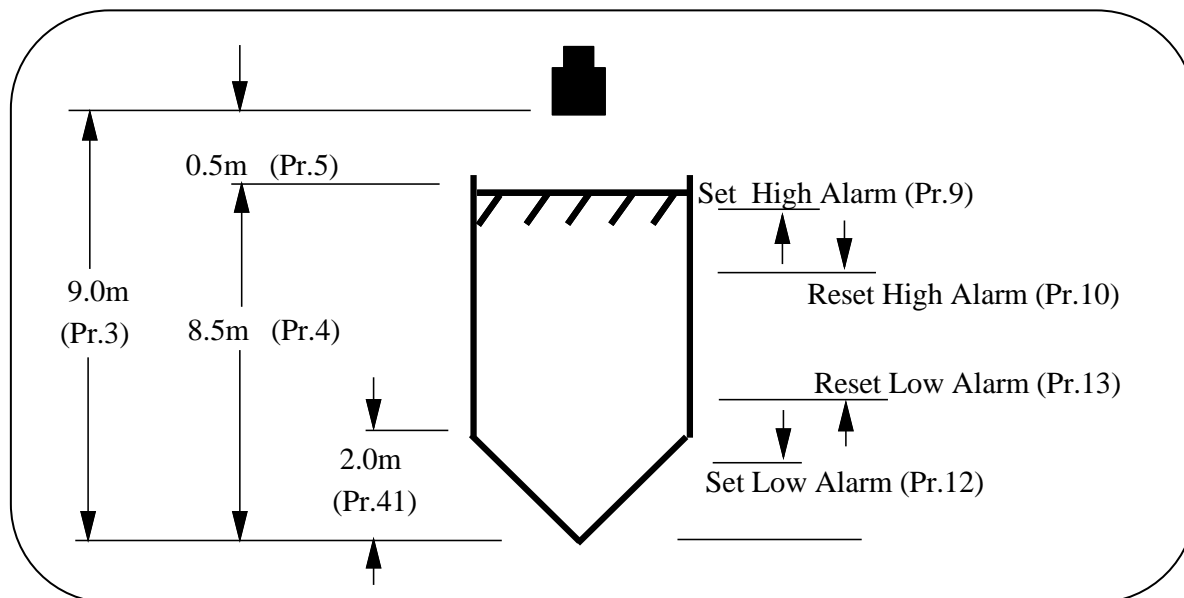
Maximum level 3m.

Fill rate 0.1 metre/min.

Alarm if level exceeds 2.8 metres

4-20mA signal proportional to level.

Pr.99		Return to factory default – see Page 36
Pr.1	= 1	Defines level measurement
Pr.2	= 2	Programme units are metres.
Pr.3	= 4	Distance from transducer to zero level.
Pr.4	= 3	The span, based on zero level.
Pr.5	= 0.5	Blanking zone into which level should not rise.
Pr.6	= 0.1	The maximum rate of change of liquid level in metres/minute.
Pr.8.	= 1	Relay 1 to alarm on level (normally energised)
Pr.9.	= 2.8	Relay 1 to de-energise at 2.8 metres to indicate high alarm.
Pr.10	= 2.6	Relay 1 to re-energise at 2.6 metres to clear the high alarm.
Pr.23	= 3	Hold alarm indication (relay 1) on failsafe.
Pr.28	= 3	Analogue output holds on failsafe.
Pr.30	= 1	4-20mA output fixed to span (Pr.4).
Pr.78		Simulate the programme

Example 2**Contents Measurement with Volumetric Conversion** (Pr.1 = 1)

The application:

To measure the level in a conical bottomed cylindrical tank. Dimensions as shown.

Total volume of tank = 120m³ when level is 8.5m.

Output/display in m³.

Analogue output to be 4-20mA proportional to volume in tank.

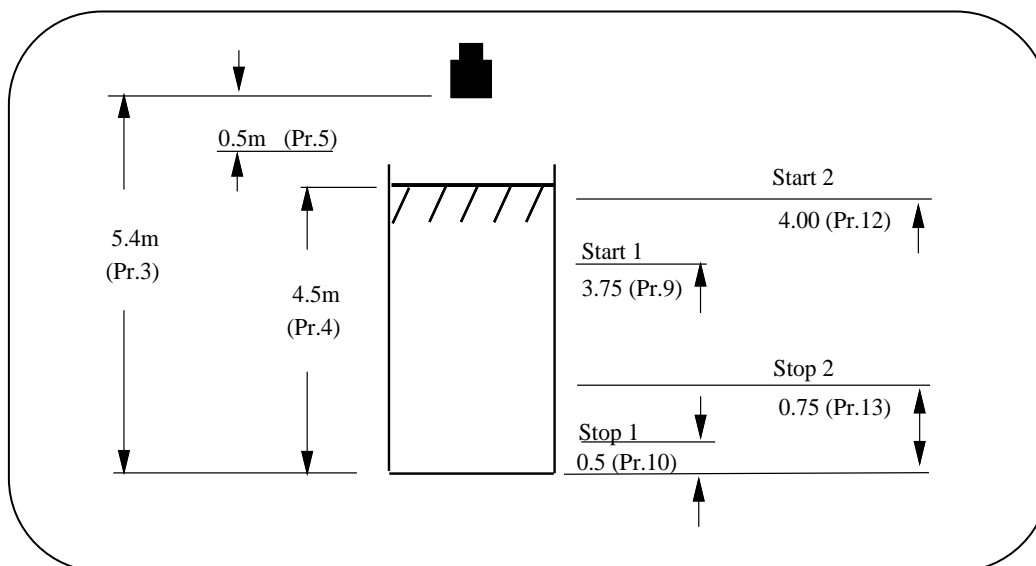
High alarm at 90m³ volume.

Low alarm at 10m³ volume.

Pr.99		Return to factory default – see Page 36
Pr.1	= 1	Defines level measurement.
Pr.2	= 2	Programme in metres.
Pr.3	= 9	Transducer to zero level = 9 metres.
Pr.4	= 8.5	The span over which measurement is required.
Pr.5	= 0.5	Blanking zone into which level should not rise.
Pr.6	= 10	The rate of change of level will not exceed 10 metres per minute.
Pr.8	= 1	Relay 1 to alarm on volume (normally energised).
Pr.9	= 90	Relay 1 de-energises at 90m ³ . High alarm on.
Pr.10	= 85	Relay 1 re-energises at 85m ³ to clear high alarm.
Pr.11	= 1	Relay 2 to alarm on volume (normally energised).
Pr.12	= 10	Relay 2 de-energises at 10m ³ . Low alarm on.
Pr.13	= 15	Relay 2 re-energises at 15m ³ to clear low alarm.
Pr.30	= 1	Analogue output to be 4-20mA fixed to span.
Pr.40	= 3	Define vessel as conical bottomed.
Pr.41	= 2.0	Define the depth of cone as 2.0m.
Pr.43	= 1.2	Define total capacity 120m ³ .
Pr.78		Simulate the programme.

Example 3**Pump Control**

(Pr.1 = 1)



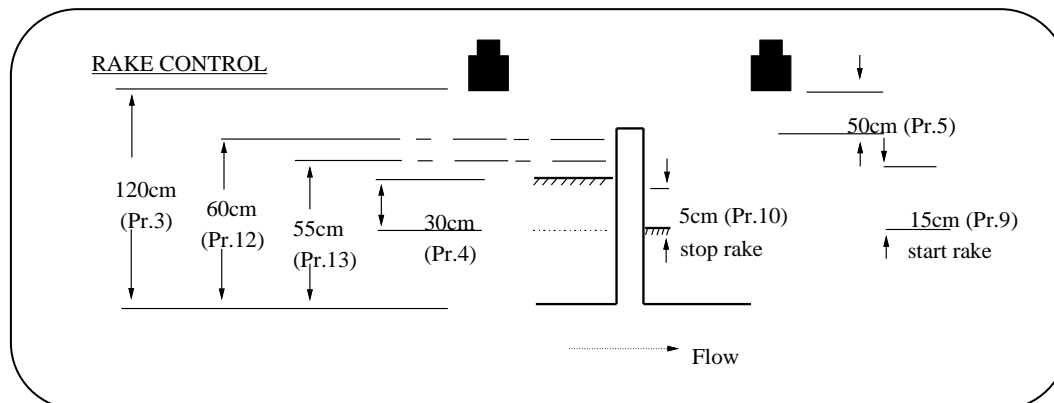
The application:

- 2 pump control, pump down in a wet-well, duty-assist operation.
- Alternate pump duty to reduce wear.
- 4-20mA to remote indicator.
- Loss-of-Echo indication to telemetry.
- Display actual level in metres.

- | | | |
|-------|--------|--|
| Pr.99 | | Return to factory default – see Page 36 |
| Pr.1 | = 1 | Defines level measurement |
| Pr.2 | = 2 | Programme in metres. |
| Pr.3 | = 5.4 | Transducer to zero level = 5.4m. |
| Pr.4 | = 4.5 | The span over which measurement is required. |
| Pr.5 | = 0.5 | Blanking into which the liquid will not rise. |
| Pr.6 | = 1.5 | Max. rate of level change 1.5m/min. |
| Pr.8 | = 2 | Relay 1 control on level (normally de-energised) |
| Pr.9 | = 3.75 | Relay 1 energises at 3.75m to turn pump 1 on. |
| Pr.10 | = 0.5 | Relay 1 de-energises at 0.5m to turn pump 1 off. |
| Pr.11 | = 2 | Relay 2 to control on level (normally de-energised) |
| Pr.12 | = 4.0 | Relay 2 energises at 4.00m to turn pump 2 on. |
| Pr.13 | = 0.75 | Relay 2 de-energises at 0.75m to turn pump 2 off. |
| Pr.17 | = 7 | Relay 4 assigned to indicate loss-of-echo to the telemetry system. |
| Pr.23 | = 2 | Switch pump 1 off on failsafe. |
| Pr.24 | = 2 | Switch pump 2 off on failsafe. |
| Pr.28 | = 1 | Analogue output to 4mA on failsafe. |
| Pr.29 | = 30 | Failsafe delay 30 seconds. |
| Pr.30 | = 1 | Analogue output to be 4-20mA fixed to Pr.4. |
| Pr.51 | = 2 | Alternate pump duty. |
| Pr.78 | | Simulate the programme. |

Example 4**Differential Mode** (Pr.1 = 3)

In the differential mode, the transceiver drives two transducers to measure the difference in levels by subtracting the downstream level from the upstream level. Please see connection diagram Figure 7 for transducer wiring.



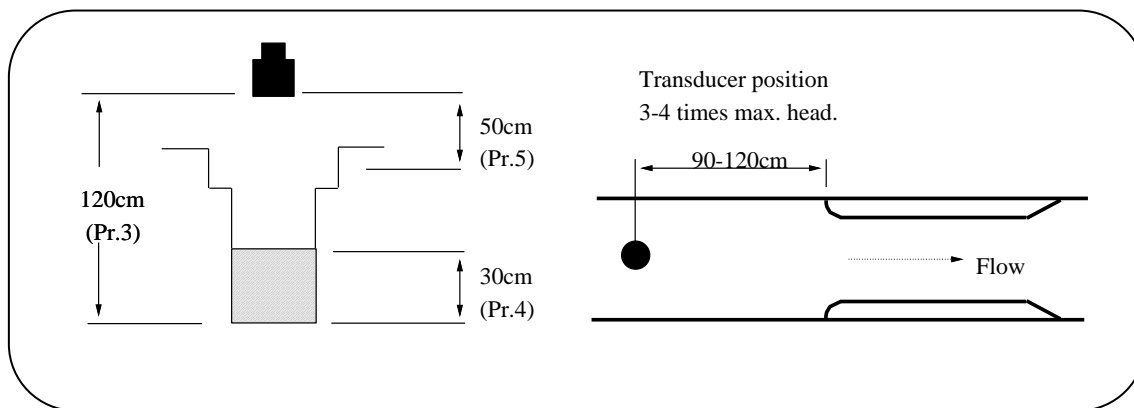
The upstream transducer should be chosen to give a positive differential value.

The application:

- Start rake when differential reaches 15cm.
- Stop rake when differential falls to 5cm.
- Maximum differential 30cm.
- Alarm if level on upstream side exceeds 60cm.
- Loss-of-Echo indication to telemetry system.
- 4-20mA signal proportional to differential.

- Pr.99 Return to factory default – see Page 36
- Pr.1 = 3 To define differential level measurement.
- Pr.2 = 4 As distances are small programme in cms.
- Pr.3 = 120 The distance from bottom of channel to transducers in cms.
- Pr.4 = 30 The maximum differential span in cms.
- Pr.5 = 50 Blanking zone in cms.
- Pr.6 = 100 The maximum rate of change of level in cms.
- Pr.8 = 3 Relay 1 designated for differential control.
- Pr.9 = 15 Relay 1 energises at differential 15cm to start rake.
- Pr.10 = 5 Relay 1 de-energises at differential 5cm to stop rake.
- Pr.11 = 5 Relay 2 to alarm on an upstream level.
- Pr.12 = 60 Relay 2 de-energises at 60cm high alarm.
- Pr.13 = 55 Relay 2 re-energises at 55cm to clear high alarm.
- Pr.17 = 7 Relay 4 assigned to indicate loss-of-echo to the telemetry system.
- Pr.23 = 2 Switch rake off on failsafe.
- Pr.24 = 3 Hold high level alarm indication on failsafe.
- Pr.28 = 3 Analogue output holds on failsafe.
- Pr.29 = 120 Failsafe time is left at default of 120 seconds.
- Pr.30 = 1 4-20mA output fixed to span (Pr.4)
- Pr.97 = To clear and initiate relay totalisers (hrs. run / no. of starts)

Example 5

Open Channel Flowmeter (Pr.1 = 4)

The application:

Rectangular flume, with a maximum flow of 39 litres per second at 30cm head.

Loss-of-Echo indication to telemetry system.

4-20mA output proportional to flow.

Totalise flow and provide pulsed output to external totaliser every 1000 litres.

Display flow reading.

- | | | |
|--------|-------|---|
| Pr.99 | | Return to factory default – see Page 36 |
| Pr.1 | = 4 | To define open channel flow metering. |
| Pr.2 | = 4 | As distances are small, work in cms. |
| Pr.3 | = 120 | Distance from transducer to bottom of channel. |
| Pr.4 | = 30 | Level at which maximum flow rate occurs. |
| Pr.5 | = 50 | Blanking zone into which level will not rise. It is suggested that this is above the top of the channel to allow the system to continue reading up to that level. |
| Pr.6 | = 50 | Rate of change of level 50cm/min. |
| Pr.17 | = 7 | Relay 4 assigned to indicate loss-of-echo to the telemetry unit. |
| Pr.20 | = 5 | Relay 5 to operate as external totaliser switch. |
| Pr.28 | = 3 | Analogue output "holds" on failsafe, as factory set. |
| Pr.29. | = 120 | Failsafe time is left at default of 120 seconds. |
| Pr.30 | = 1 | 4-20mA output fixed to span (Pr.4). |
| Pr.31 | = 2 | Analogue output represents flow rate. |
| Pr.37 | = 2 | Probe enable if temperature compensation is used. |
| Pr.45 | = 2 | To define that a rectangular flume is being used. |
| Pr.46 | = 39 | Defines the maximum flow as 39 litres. |
| Pr.47 | = 1 | Flow in Pr.46 is in litres per second. |
| Pr.48 | = 3 | To avoid totaliser overflow, totalise in cubic metres rather than litres. |
| Pr.49 | = 1 | To set external totaliser to same as internal totaliser. |
| Pr.78 | | Simulate the programme (will display level, not flow) |
| Pr.98 | | Clear and initiate the totalisers. |

Note:

In normal 'RUN' mode display will always show Flow.

Instantaneous readings of "High total", "Low total", "Head" and "Flow" can be obtained by pressing keys 1 to 4. The display will revert back to "Flow" after 15 seconds.

Example 6**Open Channel Flowmeter with Penstock Control** (Pr.1 = 4)

The application:

As example 5, but additionally to control a penstock via relays 1 and 2 to modulate flow between 25 and 30 litres per second.

ENTER: Pr.1 - Pr.6 as example 5, then go to Pr.9

Pr.9 = 30 Defines top flow limit 30 litres per second.

Pr.10 = 25 Defines low flow limit 25 litres per second.

Pr.12 = 8 Duration of penstock drive pulse is 8 seconds.

Pr.13 = 4 Time between drive pulses is 4 seconds.

ENTER: Pr.17 - Pr.49 as example 5, then go to Pr.50.

Pr.50 = 2 To initiate penstock control.

ENTER: Pr.78 as example 5.

ENTER: Pr.98 as example 5.

FAULT FINDING & COMMISSIONING GUIDE

We recommend that you list all your application parameters before proceeding. See Page 56

A) The display is blank, LEDs are unlit, neon not firing:

1. Ensure that power is being supplied to the unit and that wiring is correct - refer to Page 3 for Wall mt. or Page 5 for Panel mt.
2. Check fuses F5 (AC) & F6 (DC) on Wall mt. or F2 (AC) & F1 (DC) on Panel mt.
3. Check that the supply is within specified limits - refer to Pages 3 or 5

B) The fuse blows continually:

1. Power-down and fit a new fuse - refer to Pages 3 or 5
Disconnect all cabling from the unit except power, if the fuse does not blow, there is a fault in the external wiring.
2. Check that the supply is within specified limits - refer to Pages 3 or 5
3. Check for metal debris under the bottom PCB.

C) The system powers-up but displays '8888':

1. Power-down and check that the main eprom is fitted correctly at U7 on the top PCB.

D) The display shows 'LOST'

1. Check transducer wiring and connections to the instrument - refer to Page 3 for Wall mt. or 5 for Panel mt. Note the different connections for the temperature compensated transducer (R*TK15 Series).
2. Check whether the neon adjacent to terminal 22 is flashing.
If it is, proceed to 3. If not, then:-
 - a) Disconnect the transducer: If the neon now flashes there is a short circuit in the cabling. If it does not flash, the transmission fuse may have blown. On the Wall mt. unit only, check F1 and F2 T80mA fuses on the bottom PCB.
 - b) If the unit still shows 'LOST', check that you can hear the transducer clicking when close to the ear.
 - c) If you have extended the transducer cable, disconnect and remove the transducer and connect it direct to the instrument. If the unit now operates, re-check the extension cabling connections and routing, avoiding power cables. Re-install the transducer and check its aiming.
 - d) If the transducer does not click, proceed to 5
3. Is the target within the empty distance specified at Pr.3? This is particularly important if the temperature varies and no compensation is applied.
4. Is the vessel empty, with a conical parabolic or spherical bottom? If the transducer is not central the transmission pulse may be reflected from the sloping sides and not back to the transducer. Under these conditions the display will show 'LOST' but the failsafe designation will operate until product returns and the system will

automatically recover and track the level. If the transducer cannot be mounted centrally, the problem may be overcome by the installation of a 'target' plate.

5. Connect a known good transducer. If this operates, check the gain value by pressing the 'TEST' key. The percentage displayed ranges from 0-100, the lower the figure the better the signal strength. If the gain is 50-100, check the surface on liquid applications for foam or floating debris, which may cause poor echoes.
6. Check that the ST6 eeprom is seated correctly at U6 on the bottom PCB.

E) The keypad fails to operate:

1. Check the alignment of the plug with the top PCB connectors.
2. Check that the key press sequence is valid, refer to Programming Section.
3. Power-down and wait 5 secs. Power-up and press 'MODE'. This should result in 'PROG' being displayed. It is now advisable to reset the unit – refer to Page 15.

F) Analogue output is unstable:

1. Connect a test meter in series with your external wiring.
Can fault be seen on test meter? If yes, then use Pr.34 to enter a stable value into the current loop, in the range 4 to 20mA. If the output is still unstable disconnect external wiring and connect meter across terminals 25-26 for Wall mt. or 27-28 for Panel mt. and repeat Pr.34 test. If still unstable, contact Hycontrol. If stable, check wiring and meters etc.

G) Analogue has no output:

1. Check programme value at Pr.30 - Value 1-6
2. Insert test meter in series with the output. Under Pr.34 enter a fixed output. If still no output, then connect test meter directly across terminals 25-26 for Wall mt. or 27-28 for Panel mt. and repeat Pr.34 test. If no value is read at the terminals contact Hycontrol.

H) Analogue output is less than 20 at maximum display reading:

1. The load attached to the output may be too high. To check this, disconnect all the external wiring and see if it now reads 20. The output is capable of driving 20mA into 750 Ohms.

I) Analogue output does not correspond to application:

1. Check that the correct options (Pr.30 to Pr.33) have been selected.
2. Check that the correct span (Pr.4) has been input, this is the value over which the analogue will be spanned unless a separate entry has been made at Pr.32 or Pr.33.

J) Display stays high:

1. Check for obstructions. If the transducer is mounted in a standpipe, check for rough edges at connection with the vessel, refer to Page 8.
2. If there are no close-in obstructions ensure that the isolation kit (Page 6) is fitted on the transducer and the transducer is mounted correctly. The isolation kit should enable the transducer to move slightly, it should not be solid. (Not applicable if the transducer has an integral flange).
3. May be caused by rate of change, Pr.6 being too low.
4. Check the entry at Pr.6. This should not be less than the factory default value.

K) Display is lower than expected:

1. Check that Pr.3 and 4 are correct for the application.
2. It can be caused when the level rises into the blanking zone (Pr.5). The system may lock-up on a multiple echo and track this value when the level falls. The correct reading can be re-established by pressure 'MODE-1-MODE' but to affect a permanent cure, the transducer should be raised to prevent the level encroaching into blanking.
3. It can also be caused by poor surface quality. On liquid applications this may be foam or turbulence and on solids, a very irregular surface.
4. The level may be moving at a faster rate than that programmed in Pr.6. The rate of change value should be increased to match the true rate.

L) Display changes in steps:

1. Increase rate of change at Pr.6 to match the true rate.

M) Display is inaccurate:

1. Check the empty distance at Pr.3.
2. Check the vessel dimensions and any volume conversion factor used at Pr.43.
3. Temperature compensation may be required.
4. The presence of vapours will affect accuracy. If they are constant over the range, the speed of sound can be adjusted at Pr.70.
5. Check that the echo processing routines at Pr.68 & 69 are correct for the application.

N) Temperature compensation error:

1. The position of the transducer is important, to prevent heating by sunlight and convection currents. Also, the sensor should be in a free-air vented position if possible, to avoid hot-spots.
2. Check transducer type at Pr.36 and that Pr.37 is enabled. See also Page 3 or 5.
3. Check the resistance of the sensor when disconnected, against the value displayed at Pr.39 when connected. Check resistance across black core and screen when disconnected.

Note: The sensor compensates only for temperature variance; it is not expected to accurately measure the actual temperature.

O) Relays not switching:

1. Check the programmed relay designations and settings at Pr.8-Pr.22. Functions can be tested under simulation at Pr.78.
2. Test the relays at Pr.75 or Pr.76.
3. Check contact continuity at the terminals.

Warning:

We recommend disconnection of external controls, alarms etc. before performing the above tests.

P) The PCB hums loudly:

1. Check the transformer mounting screws for tightness on the bottom PCB (Wall mt. only).

LINEARISATION VESSELS OR FLUMES

This feature allows volume conversion to be applied on irregular shaped vessels and flow measurements to be made on open channels providing that level/volume/flow relationships are known.

The system allows the entry of a volume or flow profile at up to 16 points of level to be entered into memory that is then used to produce the required flow or volume values when in 'RUN' mode. The required profile is stored in parameter 44.

Before proceeding it is useful to write down a table of the point numbers and 'A'/'b' values to facilitate programming.

FLOW

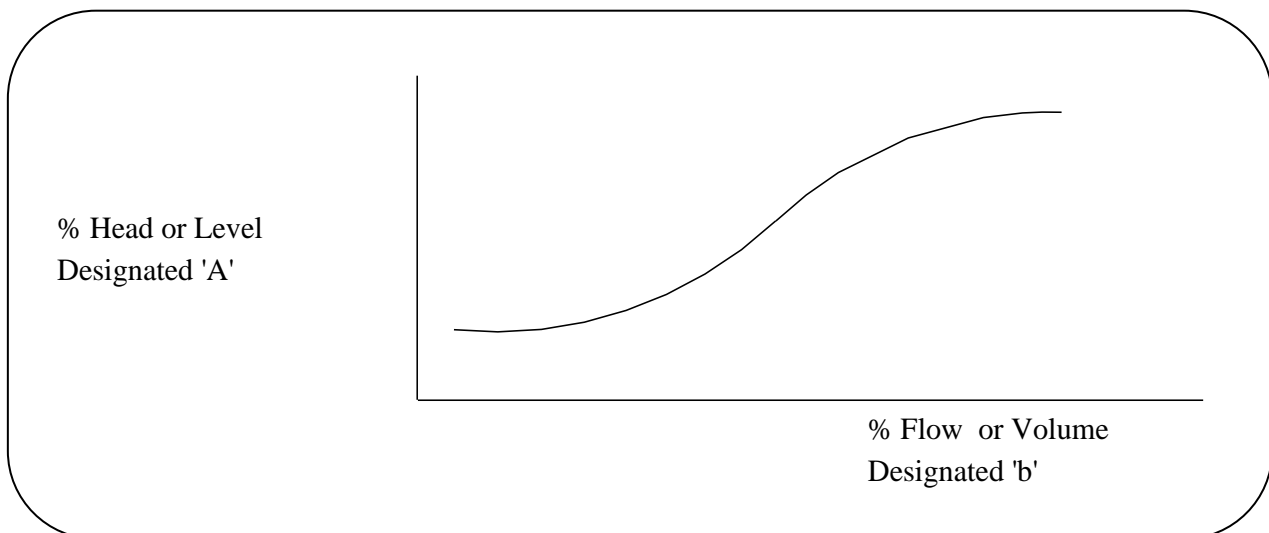
When using the facility for flow it is enabled by Pr.45 = 4. The profile is stored as percentage of head against percentage of flow. See example on Page 49.

VOLUME

When using the facility for volume it is enabled by Pr.40 = 8. The profile is stored as percentage of level, against percentage of the total volume. See example on Page 50.

PROCEDURE

The procedure uses a 16 point curve to map the profile, but all 16 points do not have to be used.



The profile data is input into Pr.44 which, when accessed, [Pr.44, 'DSP', 'ENT'] will display 'A1', which means the data pointer is at value 1 on 'A' data. The values can be displayed and changed as required.

Pr.44 - Keyboard Controls

- # - Toggles the display between date blocks 'A' and 'b'
- 'σ' - } Increases and decreases the point number, when either the point number
'τ' - } or its value is displayed.
- CE - Clears the display when inputting a new value.
- DSP - Toggles the display between the block and point number and the value.
ENT - Enters a new value.
- TEST - Exits Pr.44 and returns the operator to the normal programme.
- 0-9 - The number keys and decimal point are used to input new values. Point numbers can only be changed by using the 'σ' and 'τ' keys.

Pr.44 - Inputting Values

When a new value is to be entered, first display the old value and then input the new and press 'ENT', the system will display the value it has stored in memory. The values must be input in a specific form.

1. - Head/Level - Designated 'A'-

These values must be a whole number. Decimal places will be ignored.

i.e. 11 will be accepted as 11
22.3 will be accepted as 223.

The allowable range of values is 0-250%, any unused data values must be set to 255.

PARAMETER RESET: LOAD 255 TO ALL DATA VALUES.

2. - Flow/Volume - designated 'b'
- These values are expected to contain one decimal place, therefore, it
it is not necessary to input the decimal place, but the procedure will display it.
i.e. 10 will be accepted as 1.0
100 or 10.0 will be accepted as 10.0.

The allowance range of values is 0-250%.

PARAMETER RESET: LOADS '0' TO ALL DATA VALUES.

- Note:**
1. As time is required to enter all the data, the standard keypad time-outs are suspended.
 2. We recommend that the required values are written in tabular form, as shown before programming commences. Then enter all Block A values, before entering all Block 'b' values.

Example: Flow - Special Flume Mapping

Use Example 5 on Page 41, but substitute a special 'U' throat flume with maximum flow 39 litres/second at 30 cm head.

First, create the following table from the relationship of head and flow which must be given to the special flume.

Point	Head (cm)	% Head	'A' Value	Flow litres/sec	% Flow	'b' Value
1.00	0.0	0.0	0.00	0.0	0.0	0
2.00	2.5	8.3	8.00	0.4	1.1	11
3.00	5.0	16.70	17.00	1.7	4.4	44
4.00	7.5	25.0	25.00	3.7	9.5	95
5.00	10.0	33.30	33.00	6.3	16.2	162
6.00	15.0	50.0	50.00	12.70	32.5	325
7.00	20.0	66.60	67.00	20.30	52.0	520
8.00	25.0	83.20	83.00	29.30	75.0	750
9.00	30.0	100.0	100.00	39.0	100.0	1000.00
10.00	Not used	Not used	255.00	Not used	Not used	.0
11.00	Not used	Not used	255.00	Not used	Not used	.0
12.00	Not used	Not used	255.00	Not used	Not used	.0
13.00	Not used	Not used	255.00	Not used	Not used	.0
14.00	Not used	Not used	255.00	Not used	Not used	.0
15.00	Not used	Not used	255.00	Not used	Not used	.0
16.00	Not used	Not used	255.00	Not used	Not used	.0

- NOTE:**
1. Points 10 to 16 not used - leave at factory default value.
 2. 'A' values must be whole numbers, no decimals allowed.
 3. 'b' values must be entered as the tabulated value, the decimal will be automatically allocated.

Now continue programming the instrument as follows:

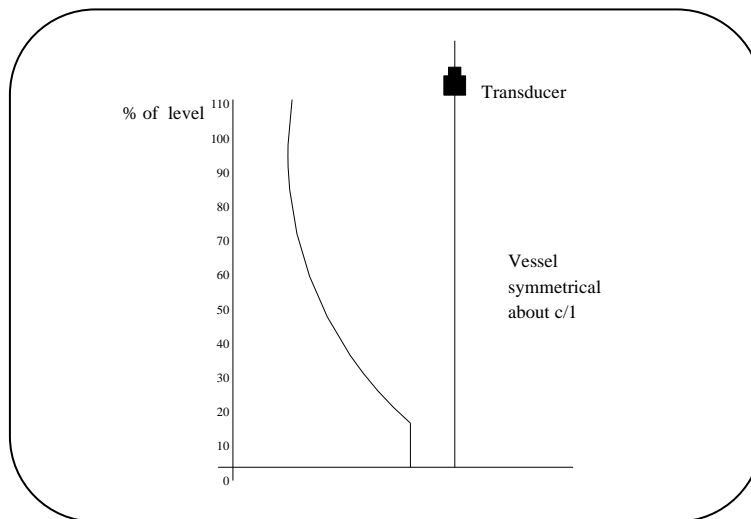
Programme the instrument exactly as Example 5 on Page 41, except:

Change Pr.45 from 2 to 4, which denotes "Special Flow Device".
 Go to Pr.44 and proceed as follows:
 Press Pr.44 to display Pr.44:
 Press 'DSP' to show
 Press 'ENT' to show 'A1'
 Press 'DSP' to show value of 'A1' (default = 255)
 Key in the value 'O' from Table 1 and press 'ENT'
 Press 'DSP' to show 'A1' again
 Press 'σ' to show 'A2'
 Press 'DSP' to show value of 'A2' (default = 255)
 Key in the value '8' from Table 1 and press 'ENT'
 Continue for all points which you need to use (up to 'A16')
 Any points not used must be left at the default of 255

- Press 'DSP' to display the last 'A' number used, then
- Press 'τ' several times to return to 'A1'
- Press '#' to show 'b1'
- Press 'DSP' to show value of 'b1' (default = .0)
Key in the value '0' from Table 1 and press 'ENT'
- Press 'DSP' to show 'b1' again
- Press 'σ' to show 'b2'
- Press 'DSP' to show value of 'b2' (default = .0)
Key in the value '11' from Table 1 (accepted as 1.1)
Continue for all points which you need to use (up to 16)
Any points not used must be left at the default of .0
- Press 'TEST' then 'DSP' to show Pr.44

Leave the linearisation part of the programme by displaying any other parameter, or go into 'RUN' mode.

EXAMPLE - Vessel Mapping



Required Values

Point Number	'A' % Head or Level	'b' % of flow or volume
1	0	0.0
2	10	0.0
3	20	7.2
4	30	16.1
5	40	27.3
6	50	37.5
7	60	48.5
8	70	59.5
9	80	70.5
10	90	80.0
11	100	89.5
12	110	100.0
13	255	
14	255	
15	255	
16	255	

2. Polled Data Transfer

This option allows an external computer to obtain data that can be used to produce any required display i.e. tables, mimics. The data is transmitted in a format that can be understood and processed by any programmable device using Higher Low level languages.

The data obtained depends on the application programmed.

LEVEL

- a) Level
- b) Displayed value - %, volume, tonnage, etc.
- c) Rate of Change of Level
- d) Temperature
- e) Status of 4 relays
- f) Loss of Transducer and Loss of Echo

DISTANCE

- a) Distance
- b) Displayed value - % - ullage etc.
- c) Rate of Change of Level
- d) Temperature
- e) Status of 4 relays
- f) Loss of Transducer and Loss of Echo

DIFFERENTIAL

- a) Upstream level
- b) Downstream level
- c) Difference of levels
- d) Temperature
- e) Status of 4 relays
- f) Loss of Transducer and Loss of Echo

OCM

- a) Flow rate
- b) Head
- c) Totaliser value
- d) Temperature
- e) Status of 4 relays
- f) Loss of Transducer and Loss of Echo

To use this option will require software to be written for the PLC or computer that requested the data. Details of the transmission protocols and hardware connections are given in a separate bulletin.

SPECIFICATION**Transceiver**

	Wall Mount	Panel Mount
Enclosure	: Polycarbonate IP65	Noryl IP55 front / IP20 rear
Dimensions	: 240H x 160W x 90D (mm).	144H x 96W x 140D
Weight	: 1.75Kg	1.75Kg
Power Supply	: 110/230Vac \pm 10% selected automatically. 50/60Hz, 12VA, 24Vdc + 25% - 10%, 9W. Separate terminals.	
Fuse Rating	: F5 T160mA AC F6 T315mA DC F1 & F2 T80mA.	: F2 T160mA AC F1 T315mA DC F3 & F4 T80mA
Range	: Up to 15 metres.	
Accuracy of Change in Level	: 0.25% of measured distance from the transducer at constant temperature of 20 deg C, or with temperature compensation implemented.	
Ambient Temperature	: -40 deg C to + 70 deg C.	
Resolution	: 2mm or 0.1% of range, whichever is the greater.	
Analogue Output	: 4-20mA into 750 Ohms. 16 bit. Short circuit protected and opto-isolated on ac powered units. Not opto-isolated on 24Vdc units. Maximum allowable degradation of signal 2% under extremes of transient and constant conducted immunity tests to EN50082.	
Relay Outputs	: 5 multi-function SPDT relays rated 8A/250Vac/30Vdc resistive, with gold contacts.	
Indication	: Integral, 4 digit LCD, 12mm high characters. 5 red LEDs to indicate relay status.	
Interface	: 5 X 4 integral keypad with security code.	
Failsafe	: High, Low, Hold	
Damping	: Fully adjustable	
Blanking	: Fully adjustable	

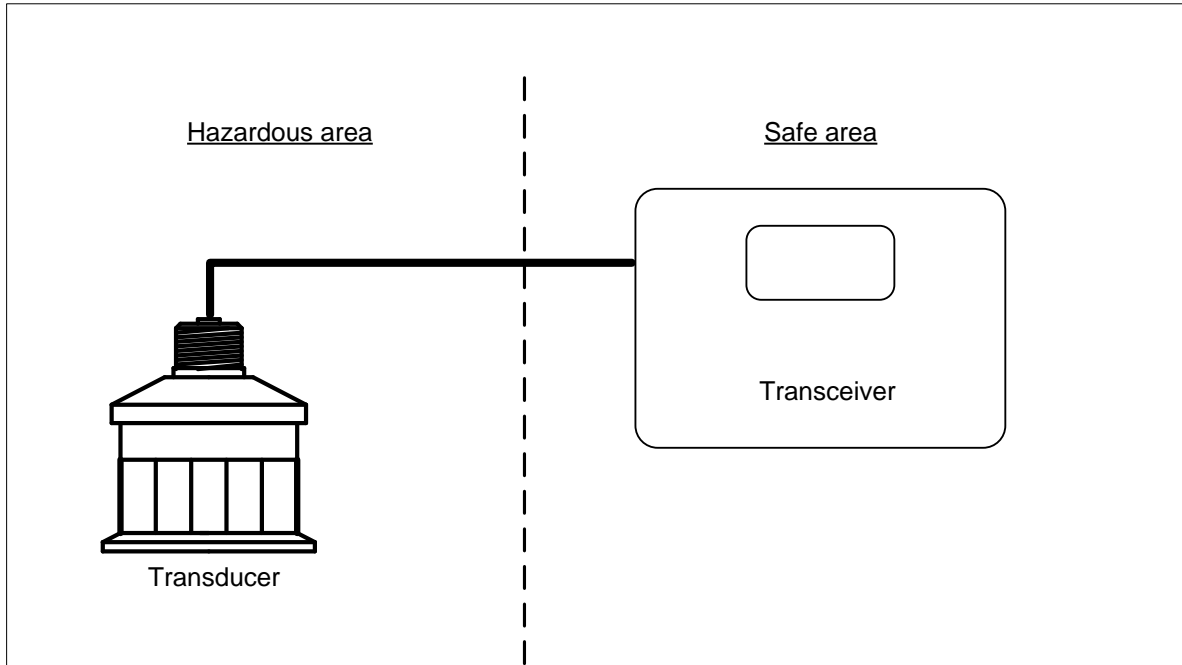
Transducer

Type	: RYVK15	RYTK15	RWVK15	RWTK15
Temperature Compensation	: No	Yes	No	Yes
Frequency (in KHz)	: 41.5 kHz	41.5 kHz	41.5 kHz	41.5 kHz
Beam Angle at 3dB	: 12 degrees @ -3dB	12 degrees @ -3dB	12 degrees @ -3dB	12 degrees @ -3dB
Body Material	: PVDF	PVDF	PVDF	PVDF
Face Material	: Glass reinforced epoxy	Glass reinforced epoxy	PVDF	PVDF
Process Temperature	: -40°C to + 90°C	-40°C to + 90°C	-40°C to + 90°C	-40°C to + 90°C
Protection	: IP68	IP68	IP68	IP68
Weight (Kg)	: 1.5	1.5	1.5	1.5
Hazardous area approval	: None	None	None	None

* Refer to pages 54 & 55 for ATEX transducers & installations.

Specifications & Installation Instructions for ATEX Transducers in Hazardous Areas

Applies to models:- RY*K15-ATEX & RW*K15-ATEX



The installation must be in accordance with the applicable codes of practice and harmonized standards for Ex mb (encapsulated) equipment. Refer to BS EN 60079-14 (current issue)

The transducer must be driven only by one of the above listed transceivers.

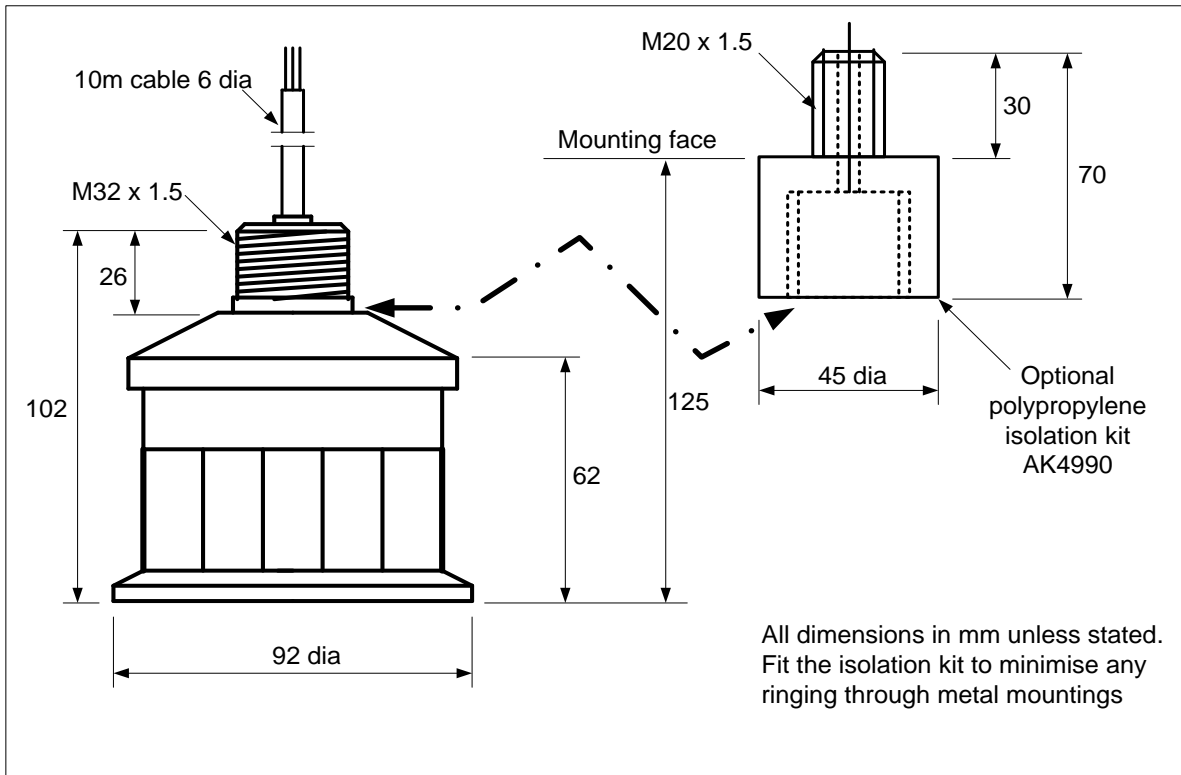
The transceiver must always be installed in a safe area.

User repairs are not permitted; in case of faults return the unit to Hycontrol.

Periodically clean the radiating face only with clean water, and inspect the body and wiring for damage.

To avoid electrostatic hazard the equipment shall not be installed in a location where external conditions are conducive to the build-up of electrostatic charge on the non-metallic enclosure. The equipment shall be cleaned only with a damp cloth.

**Specifications & Installation Instructions for ATEX Transducers
in Hazardous Areas**



Specifications

Type; RYVK15-ATEX
RYTK15-ATEX (T/comp)
Frequency: 41.5 kHz
Beam angle: 14° @ -3dB
Body material: PVDF
Face material: Glass reinforced epoxy
Temp. range: -40°C to +60°C
Range: Up to 10 metres

Typical marking

Manufacturer: Hycontrol Ltd.
CE marking /
Notified body: **CE** 0038
Group / category; **Ex** II 2 G
Ex mb IIC T6 Gb

EC certification: Sira 14ATEX5083X
Type: RYVK15-ATEX
RYTK15-ATEX
Tamb: -40°C to +60°C
Protection: IP68
S/No: xxxxxxxxxxxxxxxx
Mfg. year: xxxx

Specifications

Type; RWVK15-ATEX
RWTK15-ATEX (T/comp)
Frequency: 41.5 kHz
Beam angle: 14° @ -3dB
Body material: PVDF
Face material: PVDF
Temp. range: -40°C to +60°C
Range: Up to 10 metres

Typical marking

Manufacturer: Hycontrol Ltd.
CE marking /
Notified body: **CE** 0038
Group / category; **Ex** II 2 GD
Ex mb IIC T6 Gb
Ex mb IIIC T85°C Db

EC certification: Sira 14ATEX5083X
Type: RWVK15-ATEX
RWTK15-ATEX
Tamb: -40°C to +60°C
Protection: IP68
S/No: xxxxxxxxxxxxxxxx
Mfg. year: xxxx

PARAMETER SETTINGS

Pr	Description	Factory Default	User	Engr	Pr	Description	Factory Default	User	Engr
Basic Set-up					Open Channel Flow				
1	Application	2			45	Flow Exponent	1		
2	Units	2			46	Max. Flow Rate	0		
3	Empty Distance	15			47	Time Base for Flow	1		
4	Operational Span	15			48	Totalise Display Conv.	0		
5	Blanking Distance	0.5			49	Contr. for Ext. Counter	0		
6	Rate of Change	1			50	Penstock Control	1		
7	Decimal Display	2							
Relays					Pump Controls				
8	Relay 1	0			51	Pump Sequence	1.00		
9	Relay 1 Set	0			52	Duty Standby	1.00		
10	Relay 1 Reset	0			53	Pump Exerciser	1.00		
11	Relay 2	0			54	Pump Tolerance	1.00		
12	Relay 2 Set	0			55	Pump Maintenance	0.00		
13	Relay 2 Reset	0			56	Run-on-Interval	0.00		
14	Relay 3	0			57	Run-on-Time	0.00		
15	Relay 3 Set	0							
16	Relay 3 Reset	0			Serial Comms				
17	Relay 4	0			62	Serial Comms Enable	1.00		
18	Relay 4 Set	0			63	Station No.	0.00		
19	Relay 4 Reset	0			Echo Detection				
20	Relay 5	0			68	Echo Selection	1.00		
21	Relay 5 Set	0			69	Check Search	1.00		
22	Relay 5 Reset	0			70	Echo Velocity	344.10		
Failsafe					Miscellaneous				
23	Failsafe R1	3			71	Correction Value	0.00		
24	Failsafe R2	3			72	Parameter Display	0.00		
25	Failsafe R3	3			73	Software Rev. No.	UL.xx		
26	Failsafe R4	3			74	Reset Counter	0.00		
27	Failsafe R5	3							
28	Failsafe Analogue	3							
29	Failsafe Time Delay	120							
Analogue					Test Parameters				
30	Analogue Output	1			75	Digital Output Set	0.00		
31	Analogue Options	1			76	Hardware Test	-----		
32	Analogue Datum	0			77	Transmitter Test	-----		
33	Analogue Span	100			78	Simulation	-----		
34	Analogue Test	0							
Temperature					Number Store				
36	Transducer type	1							
37	Probe Enable	1			95	Serial Number	xxxx		
38	Temp. Compensation	20			96	Security Code	15.02		
39	Probe Test	0							
Volume Conversion					Reset				
40	Vessel Shape	0			97	Relay Hrs/Starts Reset	-----		
41	Dimension H	0			98	OCM Totaliser Reset	-----		
42	Dimension L	0			99	Full System Reset	-----		
43	Display Conversion	1							
44	Volume Linearisation	-----							

To scroll through parameters 1-74 press "MODE" - "1" - "TEST". To stop scroll press "CE"