

Solenoid Valves for Automation

Oil burner valves (incl. TÜV approved types)

2/2

Applications

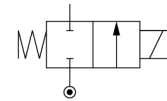
TÜV approved types are described in more detail in Data Sheet 8634/GB.
TÜV approved models are safety shut-off solenoid valves for oil burner systems according to DIN EN 264 and fuel oils EL, L, M and S according to DIN 51603.



Direct operated

Port size	Orifice (mm)	Flow factors (L/min)		Admissible differential pressure bar			Fluid temp. °C	Seat disc	Reference numbers				Power consumption (W)		Wt. (g)	Dim ref.
		kv	Qmax	Min	Max				Global valve reference	Valve reference no.	Housing	Coil	DC	AC		
G						DC	AC									

Normally closed



Brass body/Pipe mounting

1/8	2.2	2.8	11	0	-	25	120	Ruby	7121ZBG1LRT0	-	¹ 2995.20	483764	-	9	270	7863
	2.2	2.8	11	0	-	33	120	Ruby			2995.20	492425	-	14	270	
	2.5	2.8	16	0	10	24	75	Ruby	7121ZBG1LR00	-	2995	481865	9	8	270	7893
	2.5	2.8	16	0	5	13	75	Ruby			2995	482730	7	6	270	
	2.5	2.8	16	0	10	33	-	Ruby	7121ZCBG1LR00	-	4270	481000	8	8	390	7893
	2.5	3.5	25	0	10	28	100	Ruby	7121KBG1LR00	E121K23	2995	481865	9	8	300	3
	2.5	3.5	25	0	12	34	130	Ruby			4270	481000	8	8	420	
	2.5	3.5	25	0	22	50	120	Ruby			4270	486265	14	14	430	

Table continued on page 104

Notes:

1. TÜV approved for oil burners

Oil burner valves 2/2 - Direct operated

DIN 43650 A
M5x5 mm
 Values in brackets for G 3/8 valves
 Valeurs entre parenthèse pour valves G 3/8
 Angaben in Klammern für G 3/8 Ventile

Dimension reference 3

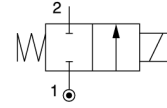
Dimension reference 7893

Oil burner valves 2/2 - Direct operated

Port size	Orifice (mm)	Flow factors (L/min)		Admissible differential pressure bar			Fluid temp. °C	Seat disc	Reference numbers				Power consumption (W)		Wt. (g)	Dim ref.
		kv	Qmax	Min	Max				Global valve reference	Valve reference no.	Housing	Coil	OR	DC		

Brass body/Pipe mounting

Normally closed



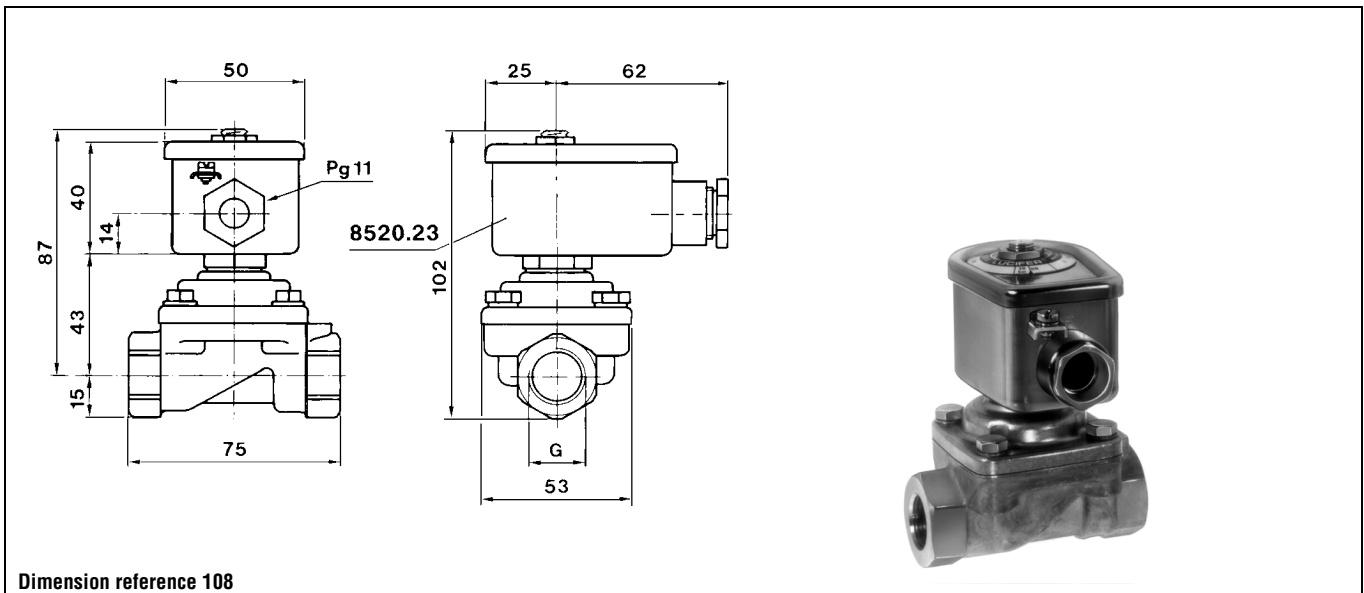
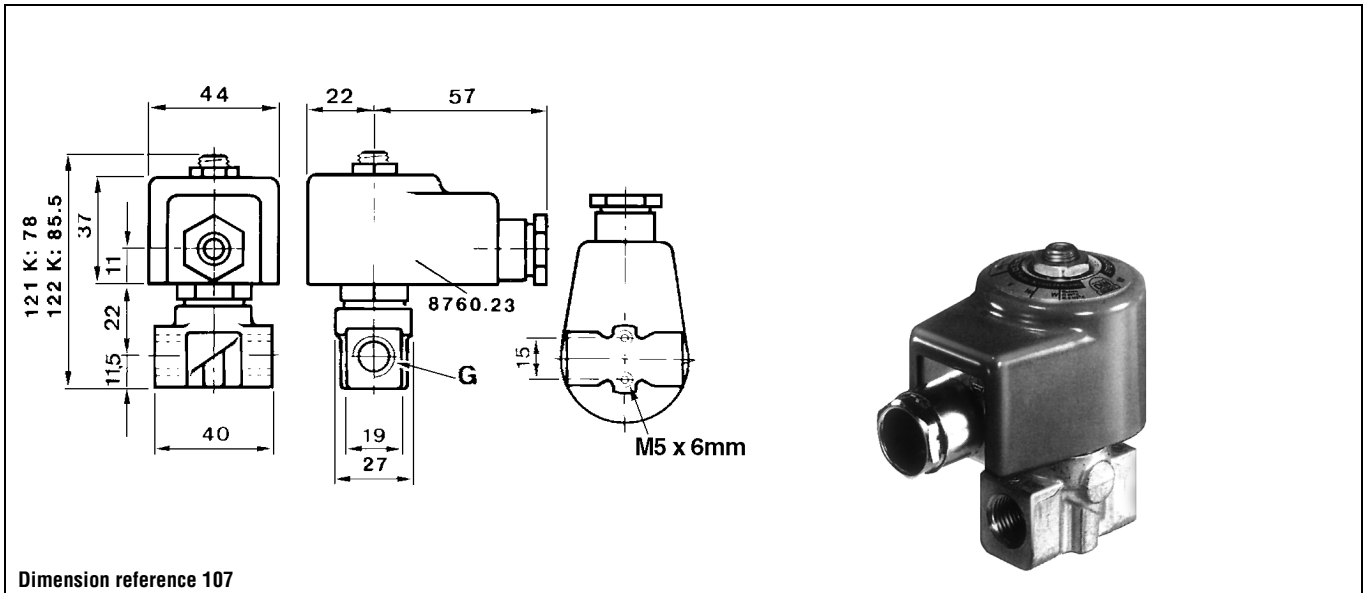
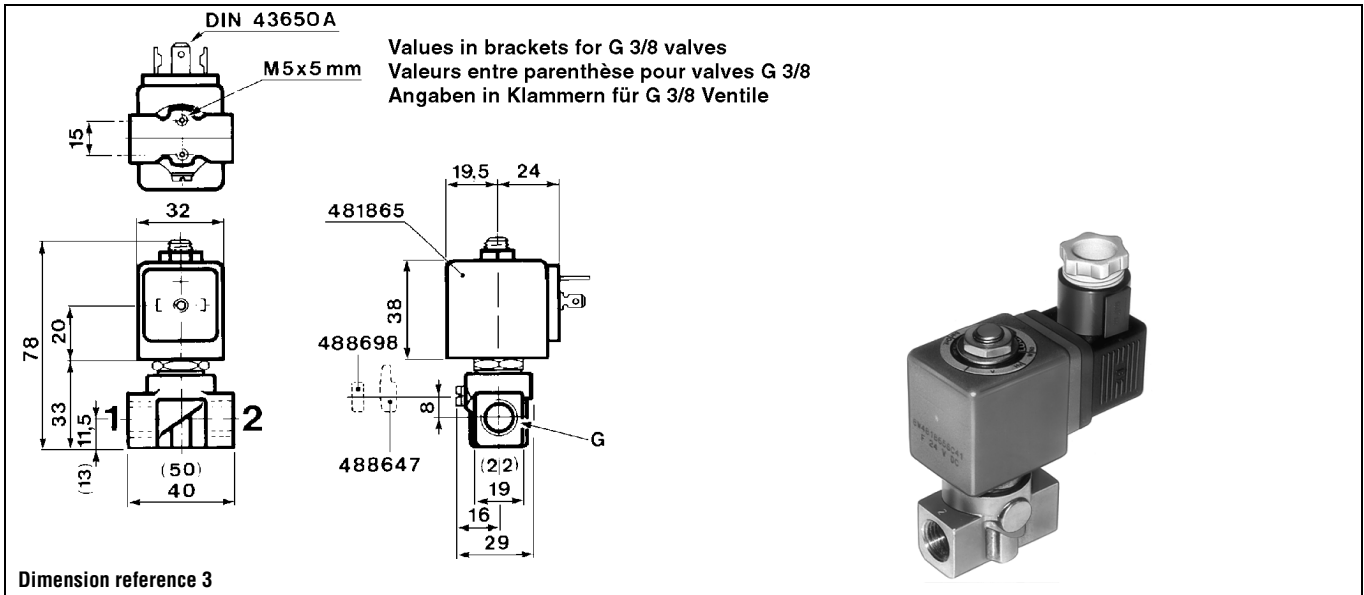
1/8	3	4	-	0	-	30	160	Ruby	7121KBG1NRT0	121K2423 ¹	8760.23	483824	-	19	420	107
	3	4	-	0	-	30	160	Ruby			8520.23	483824	-	19	480	
1/4	1.2	0.85	8.5	0	36	80	100	Ruby	7121KBG2ER00	E121K65	2995	481865	9	8	290	3
	1.2	0.85	8.5	0	43	100	130	Ruby			4270	481000	8	8	410	
	1.2	0.85	8.5	0	75	100	120	Ruby			4270	486265	14	14	420	
	1.5	1.5	15	0	25	60	100	Ruby	7121KBG2GR00	E121K67	2995	481865	9	8	290	3
	1.5	1.5	15	0	30	75	130	Ruby			4270	481000	8	8	410	
	1.5	1.5	15	0	55	100	120	Ruby			4270	486265	14	14	420	
	2.5	3.5	25	0	10	28	100	Ruby	7121KBG2LR00	E121K63	2995	481865	9	8	290	3
	2.5	3.5	25	0	12	34	130	Ruby			4270	481000	8	8	410	
	2.5	3.5	25	0	22	50	120	Ruby			4270	486265	14	14	420	
	3	4.5	-	0	-	30	160	Ruby	-	121K6423 ¹	8520.23	483824	-	19	470	107
	3	4.5	-	0	-	30	160	Ruby	7121KBG2NRT0	121K6423	8760.23	483824	-	19	410	107
	3	4.5	27	0	7	20	100	Ruby	7121KBG2NR00	E121K64	2995	481865	9	8	290	3
3/8	4	7.5	10.5	0	4	10	100	FKM	7121KBG3QV00	121K3206	2995	481865	9	8	340	3
	4	7.5	10.5	0	5	10	120	FKM			4270	481000	8	8	460	
	4	7.5	10.5	0	10	10	120	FKM			4270	486265	14	14	470	
	5	11	11.5	0	2	7	100	FKM	7121KBG3SV00	121K3106	2995	481865	9	8	340	3
	5	11	11.5	0	2.8	7	120	FKM			4270	481000	8	8	460	
	5	11	11.5	0	5	7	120	FKM			4270	486265	14	14	470	
	6	12	12.5	0	1.1	5	100	FKM	7121KBG3UV00	121K3306	2995	481865	9	8	340	3
	6	12	12.5	0	1.5	5	120	FKM			4270	481000	8	8	460	
	6	12	12.5	0	3	5	120	FKM			4270	486265	14	14	470	
	11	22	13.5	0	-	30 ²	160	FKM	7121GBG34VT0	121G2320 ¹	8760.23	483541	-	20	-	108
	11	22	13.5	0	-	30 ²	160	FKM			8520.23	483541	-	20	-	
	1/2	14	25	15	0	-	30 ²	160	FKM	7121GBG45VT0	121G2520 ¹	8760.23	483541	-	20	-
14		25	15	0	-	30 ²	160	FKM			8520.23	483541	-	20	-	
14		25	15	0	-	19	160	FKM	7121GBG45VT1	121G2523 ¹	8520.23	483824	-	19	480	107

Table continued on page 106

Notes:

1. TUV approved for oil burners
2. Max. static pressure = 30 bar; max pressure differential = 0.2 bar

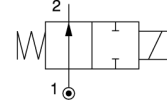
Oil burner valves 2/2 - Direct operated



Oil burner valves 2/2 - Direct operated

Port size	Orifice (mm)	Flow factors (L/min)		Admissible differential pressure bar			Fluid temp. °C	Seat disc	Reference numbers				Power consumption (W)		Wt. (g)	Dim ref.
		kv	Qmax	Min	Max				Global valve reference	Valve reference no.	Housing	Coil	DC	AC		

Normally open



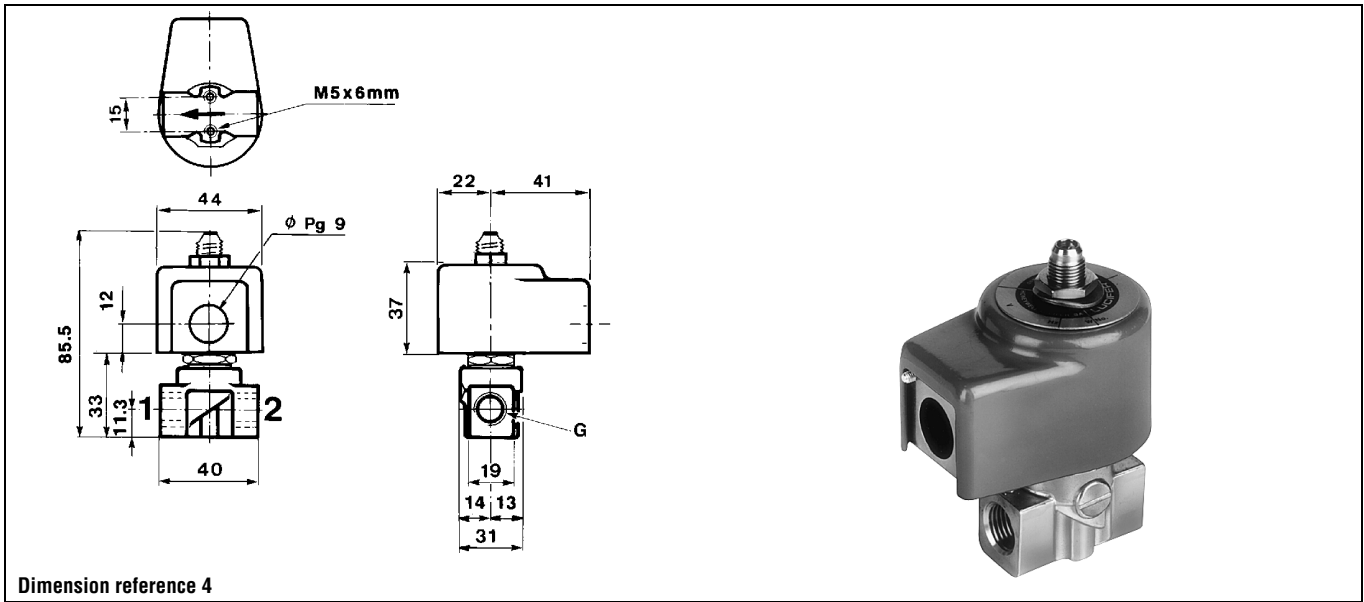
Brass body/Pipe mounting

1/8	2.5	3.5	-	0	-	30	160	Ruby	7122KBG1LRT0	122K9321 ¹	8760.23	483824	-	19	455	105
	2.5	3.5	-	0	-	30	160	Ruby			8520.23	483824	-	19	515	
	2.5	3.5	-	0	-	30	140	Ruby	7122KBG1LR00	122K9363	4270	481044	-	14	445	4
	2.5	3.5	-	0	30	30	140	Ruby			4270	486265	14	14	455	
1/4	2.5	3.5	-	0	-	30	160	Ruby	7122KBG2LRT0	122K8321 ¹	8760.23	483824	-	19	435	105
	2.5	3.5	-	0	-	30	160	Ruby			8520.23	483824	-	19	495	
	2.5	3.5	-	0	-	30	140	Ruby	7122KBG2LR00	122K8363	4270	481044	-	14	425	4
	2.5	3.5	-	0	30	30	140	Ruby			4270	486265	14	14	435	
	4	6.5	-	0	-	30	160	Ruby	7121KBG2QRT0	121K6220 ¹	8520.23	483541	-	20	-	105
4	6.5	-	0	-	30	160	Ruby			8760.23	483541	-	20	-		

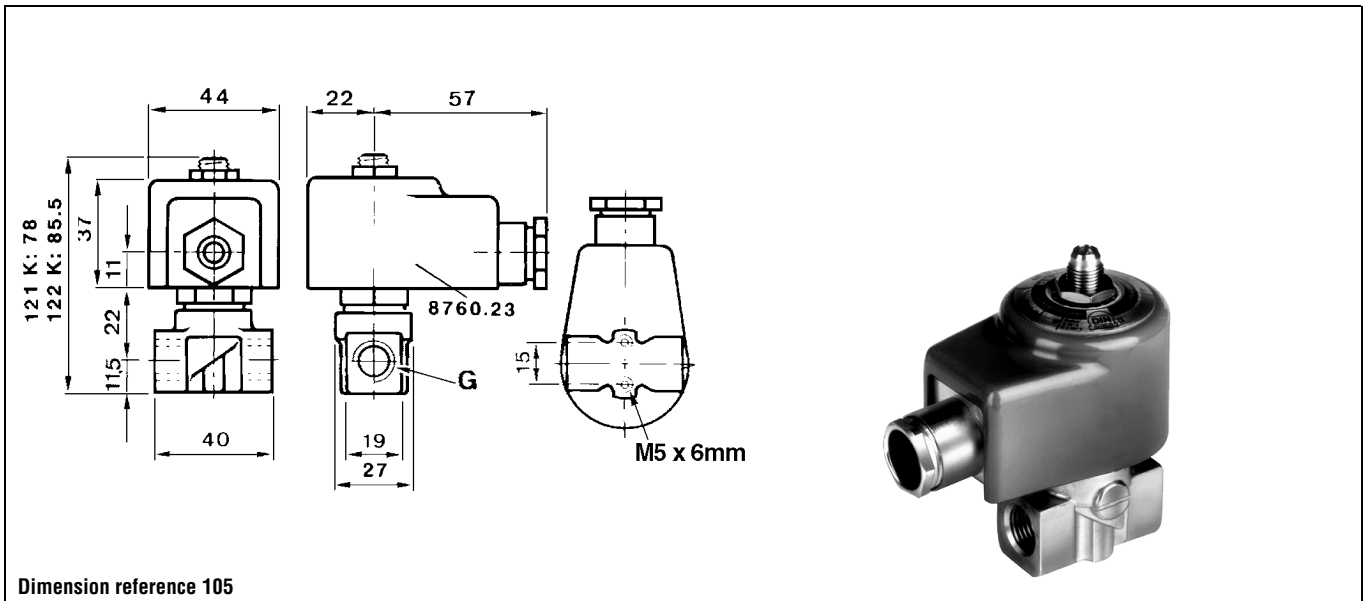
Notes:

1. TUV approved for oil burners

Oil burner valves 2/2 - Direct operated



Dimension reference 4



Dimension reference 105