



## **VG5** Supplementary instructions

### 10 GHz Radar (FMCW) Level Meter

for distance, level, volume, flow, mass and reflection measurement of liquids

#### **Safety manual**

|   |           |
|---|-----------|
| <b>1 Introduction</b>   | <b>4</b>  |
| 1.1 Scope of the document .....   | 4         |
| 1.2 Revision history .....  | 4         |
| 1.3 Device description .....  | 5         |
| 1.4 Related documentation .....   | 5         |
| 1.5 Terms and definitions.....  | 6         |
| <b>2 System description</b>   | <b>7</b>  |
| 2.1 Peripheral equipment .....  | 7         |
| 2.2 Software for use with the device.....   | 7         |
| <b>3 Installation</b>   | <b>8</b>  |
| <b>4 Electrical connection</b>  | <b>9</b>  |
| <b>5 Start-up</b>   | <b>10</b> |
| 5.1 General notes .....   | 10        |
| 5.2 Device parameters .....   | 10        |
| <b>6 Specification of safety function</b>   | <b>11</b> |
| 6.1 Preliminary requirements.....   | 11        |
| 6.2 Safety function definition.....   | 11        |
| 6.2.1 General notes.....  | 11        |
| 6.2.2 Limits of application.....  | 11        |
| 6.2.3 Safety function characteristics .....                                       | 12        |
| <b>7 Operation</b>  | <b>13</b> |
| 7.1 Conditions of use .....   | 13        |
| 7.2 Failure state .....   | 13        |
| 7.3 Operation mode .....  | 14        |
| 7.4 Error conditions.....   | 15        |
| 7.5 User parameters .....   | 16        |
| 7.5.1 Limits for supervisor menu functions related to antenna configuration ..... | 16        |
| 7.5.2 Limits for supervisor menu functions related to device configuration .....  | 17        |
| <b>8 Service</b>  | <b>20</b> |
| 8.1 Periodic maintenance.....   | 20        |
| 8.2 Keep the device clean.....  | 20        |
| 8.3 Availability of services .....  | 20        |
| 8.4 Proof tests .....   | 20        |

|  |    |
|--|----|
| 8.5 Calibration procedure .....                              | 23 |
| 8.5.1 General notes .....                                    | 23 |
| 8.5.2 Current output check .....                             | 24 |
| 8.5.3 Measuring range check (in process conditions) .....    | 25 |
| 8.6 Troubleshooting.....                                     | 26 |
| 8.7 Returning the device to the manufacturer.....            | 26 |
| 8.7.1 General information.....                               | 26 |
| 8.7.2 Form (for copying) to accompany a returned device..... | 27 |
| <br>   |    |
| 9 Technical data .....                                       | 28 |
| <hr/>  |    |
| 9.1 General notes .....                                      | 28 |
| 9.2 Assumptions .....  | 28 |
| 9.3 Characteristics for the device safety function .....     | 29 |
| 9.4 SIL-specific technical data .....                        | 29 |
| 9.5 Support for SIL-approved devices.....                    | 31 |
| <br>   |    |
| 10 Appendix .....  | 32 |
| <hr/>  |    |
| 10.1 Start-up report .....                                   | 32 |
| 10.2 Proof test report form (for copying) .....              | 33 |
| <br>   |    |
| 11 Notes .....   | 34 |
| <hr/>  |    |

## 1.1 Scope of the document

This document supplies functional safety data about the device. This data agrees with the IEC 61508 standard.



**WARNING!**

*The data in this supplement only contains the data applicable to the SIL approval. The technical data for the standard version in the handbook (document [N1]) shall be valid in its current version, provided that it is not rendered invalid or replaced by this supplement.*



**INFORMATION!**

*Installation, commissioning and maintenance may only be carried out by approved personnel.*

## 1.2 Revision history

| Edition | Date           | Description  |
|---------|----------------|--------------|
| 1       | April 28, 2015 | First issue. |

## 1.3 Device description

This device is a 2-wire level transmitter that uses FMCW (Frequency Modulated Continuous Wave) / Radar technology. Radar is a non-contact technology. It measures the distance, level, mass, volume, flow rate and reflection of liquids, pastes and slurries. It is particularly suitable for the level measurement of corrosive and viscous products.

Measurements are given through a 4...20 mA current output and can be displayed via a DTM (device type manager) for remote communication or an integrated display screen with wizard-driven set-up and online help functions. Only the 4...20 mA current output is used as the safety function.



### **INFORMATION!**

*The manufacturer designed and developed the device for safety integrity level (SIL) 2. Data for the SIL approval is not taken from field experience (i.e. it is not "proven in use") because this method can give unrealistic data if assumptions are too optimistic.*

When the device detects a measurement error, it supplies an output current less than 3.6 mA. Although the device can be set to a high error value ( $\geq 21$  mA), some hardware failures can cause the device to give a low error value ( $\leq 3.6$  mA). For more data, refer to *Limits for supervisor menu functions related to device configuration* on page 17 (2.4.2 RANGE I).

Refer also to "Device description" in the handbook (document [N1]).

## 1.4 Related documentation

- [N1] VG5 Handbook
- [N2] IEC 61508-1 to 7:2010 Functional safety of electrical / electronic / programmable electronic safety-related systems
- [N3] NAMUR Recommendation NE 043 Standardization of the Signal Level for the Failure Information of Digital Transmitters
- [N4] NAMUR Recommendation NE 053 Software of Field Devices and Signal Processing Devices with Digital Electronics
- [N5] VG5 Supplementary Instructions for ATEX applications

## 1.5 Terms and definitions

|                                |   |
|--------------------------------|---|
| DC <sub>D</sub>                | Diagnostic Coverage of dangerous failures   |
| Firmware                       | Software embedded in the device.  |
| FIT                            | Failure In Time ( $1 \times 10^{-9}$ failures per hour)   |
| FMCW                           | Frequency-Modulated Continuous-Wave. The measuring principle. For more data, refer to "Technical Data" in the handbook (document [N1]). |
| FMEDA                          | Failure Modes, Effects and Diagnostics Analysis   |
| HFT                            | Hardware Fault Tolerance  |
| High demand or continuous mode | Where the frequency of demands for operation made on a safety-related system is greater than one time per year                          |
| I/O                            | Input / output  |
| $\lambda_{DD}$                 | Rate for dangerous detected failure   |
| $\lambda_{DU}$                 | Rate for dangerous undetected failure   |
| $\lambda_{SD}$                 | Rate for safe detected failure  |
| $\lambda_{SU}$                 | Rate for safe undetected failure  |
| Low demand mode                | Where the frequency of demands for operation made on a safety-related system is no greater than one time per year                       |
| MTBF                           | Mean Time Between Failures  |
| MTTF                           | Mean Time To Failure  |
| MTTR                           | Mean Time To Recovery   |
| PFD <sub>AVG</sub>             | Average Probability of Failure on Demand  |
| PFH                            | Probability of a dangerous Failure per Hour   |
| Process safety time            | The time interval between a potentially dangerous failure and an error value from the current output.                                   |
| SFF                            | Safe Failure Fraction   |
| SIL                            | Safety Integrity Level  |
| SIS                            | Safety Instrumented System  |
| TBF                            | Tank bottom following. A device measurement mode. For more data, refer to "Technical Data" in the handbook (document [N1]).             |
| Type A system                  | "Non-complex" system (all failure modes are well defined). For more data, refer to subsection 7.4.3.1.2 of IEC 61508-2.                 |
| Type B system                  | "Complex" system (all failure modes are not well defined). For more data, refer to subsection 7.4.3.1.2 of IEC 61508-2.                 |
| T[Proof]                       | Proof Test Interval   |
| T[Repair]                      | Time to Repair  |
| T[Test]                        | Internal Diagnostics Test Interval  |
| 1oo1                           | 1 out of 1 channel architecture (single architecture performs the safety function)  |
| 1oo1D                          | 1 out of 1 channel architecture with diagnostics  |

## 2.1 Peripheral equipment

**You can use the device with the equipment that follows:**

- A logic solver that can read 4...20 mA current input and low error alarm signals
- A PC or workstation (this is used only to change parameters)
- A HART® Handheld Controller (this is used only to change parameters)

For more data, refer to "Start-up" in the handbook (document [N1]).

## 2.2 Software for use with the device

**You can change device parameters with the software that follows:**

- PACTware™
- AMS™ Device Manager

For more data, refer to "Start-up" in the handbook (document [N1]).

**WARNING!**

*If the device is to agree with the requirements for functional safety given in IEC 61508, you must obey the installation instructions given in the handbook (document [N1]). The device must be installed by approved personnel.*

*If the device is delivered with an antenna extension, antennas for stilling wells (DN80, DN100, DN150 and DN200 Metallic Horn antennas) or the Wave Guide antenna, refer to the "Installation" and "Operation" chapters in the handbook. Make sure that the values for menu items 2.3.5 STILLWELL D., 2.3.6 STILLWELL H. and 2.3.7 ANTENNA.EXT are correct.*

**Calibrate the device to make sure that the safety function operates correctly if:**

- the device was delivered without an antenna, or
- the device is delivered with an antenna extension, antenna types for stilling wells (DN80, DN100, DN150 and DN200 Metallic Horn antennas) or the Wave-Guide antenna

This maintenance task must be done and recorded by approved personnel. For more data, refer to *Calibration procedure* on page 23.

For more data, refer to "Installation" in the handbook (document [N1]).



**DANGER!**

*If the device is for use in potentially explosive atmospheres, you must obey the electrical connection instructions given in the supplementary instructions for ATEX applications (document [N5]). We recommend that you use a galvanically-isolated power supply.*

**WARNING!**

*If the device is to agree with the requirements for functional safety given in IEC 61508, you must obey the electrical connection instructions given in the handbook (document [N1]). The device must be installed by approved personnel.*

For more data, refer to “Electrical connection” in the handbook (document [N1]).

## 5.1 General notes

**DANGER!**

*Make sure that the device and the installation agree with the requirements of the Ex certificate of compliance. For more data, refer to the supplementary instructions for Ex approvals.*

**DANGER!**

*Before you energize the device, make sure that the polarity and the supply voltage are correct.*

**Do a check of the device and tank before you energize the device:**

- Are all the wetted components (antenna, flange and gaskets) resistant to the product in the tank?
- Does the information on the signal converter nameplate agree with the operating data? Does the order code on the nameplate show the SIL option (VG5xxx1xxxxxx or VG5xxx5xxxxxx)?
- Are the process temperature and pressure in the limits for operation of the device?
- Did you correctly install the device on the tank?
- Do the electrical connections agree with the national electrical codes?

Complete the start-up report on page 32.

**WARNING!**

*If the device was delivered without an antenna, then do a device calibration to make sure that the safety function operates correctly. For more data about the procedure, refer to Calibration procedure on page 23.*

The manufacturer offers a range of services to support the customer. These services include repair, maintenance, technical support and training.

## 5.2 Device parameters

**WARNING!**

*The device agrees with the data given in the customer order. If you change the configuration of the device after its delivery, the manufacturer does not accept responsibility for the incorrect configuration of the SIL-approved version of the device. Use device parameters that are applicable to the application, because conditions at the plant can have an effect on the functional safety of the measuring system.*

For more data about device configuration, refer to the "Start-up" and "Operation" chapters in the handbook (document [N1]). Also refer to *User parameters* on page 16.

## 6.1 Preliminary requirements



### **WARNING!**

*The data in this supplement only contains the data applicable to the SIL approval. The technical data for the standard version in the handbook (document [N1]) shall be valid in its current version, provided that it is not rendered invalid or replaced by this supplement.*

## 6.2 Safety function definition

### 6.2.1 General notes

The device contains a safety function that agrees with the international standard IEC 61508 (document [N2]). This safety function operates if there is a large difference between the level measurement and the level shown as a current output.

If the device finds that there is a difference of more than 2.5% of the 4...20 mA range between the level measurement and the level shown as a current output, then the current output changes to an error signal in less than 30 seconds. The safety integrity level of this safety function is SIL2.



### **INFORMATION!**

*If menu item 2.4.5 ERROR DELAY = 0 s, then the current output changes to an error signal in less than 30 seconds. If menu item 2.4.5 ERROR DELAY is more than 0 seconds, then the current output changes to an error signal in 30 seconds + 2.4.5 ERROR DELAY.*

*After the device finds an error, it will try to measure the level of the product again. If the device can measure the level, the error signal will change to the measurement signal. If the device continues to have the same problem, the output current will change to the error signal. If, after 30 seconds, the output current is not 3.6 mA then the error is recorded as a "dangerous undetected failure" in the FMEDA analysis. If, after 30 seconds, the output current is 3.6 mA then the error is recorded as a "dangerous detected failure" in the FMEDA analysis.*

### 6.2.2 Limits of application

**This version of the device has the restrictions that follow:**

- Distance is measured in **Direct mode** (only one product in the tank is permitted).
- Only the compact version (the signal converter is attached directly to the antenna) can be used.
- It is a 2-wire loop-powered device.
- HART® communication is not permitted when you use the safety function.
- The process safety time must be more than 33 minutes. This minimum time agrees with International Standard IEC 61508 Part 2 (document [N2]), section 7.4.4.1.4.
- Use DN80 and DN100 Metallic Horn antenna only in stilling wells as specified in the handbook (document [N1]).

For more data, refer to *SIL-specific technical data* on page 29.

### 6.2.3 Safety function characteristics

The safety function uses only a 4...20 mA analog output signal to measure the level and give the device status. The analog output signal has an accuracy of  $\pm 2.5\%$  of the 4...20 mA range.



**WARNING!**

*The device must have the applicable options and settings for the application. The ambient and process conditions must agree with the technical data given in the handbook (document [N1]) and this document (safety manual). You must obey the installation instructions given in the handbook (document [N1]).*



**CAUTION!**

*We recommend that the 4 and 20 mA limits of the measuring range are not in the top dead zone (100 mm / 3.9" below the antenna). The shape of the tank bottom can have a large effect on the accuracy when the tank is almost empty. We recommend that device is not used to measure the liquid when it is less than 300 mm from the bottom of the tank.*

For more data about the top dead zone, refer to the "Operation" and "Technical Data" chapters in the handbook (document [N1]).

|                        |           |
|------------------------|-----------|
| <b>Function input</b>  | None      |
| <b>Function output</b> | 4...20 mA |

If the device finds a fault:

|                     |               |
|---------------------|---------------|
| <b>Error signal</b> | $\leq 3.6$ mA |
|---------------------|---------------|

If a logic solver is used, it must use low error alarm signals (current input  $\leq 3.6$  mA) to set itself to a fail-safe condition.

## 7.1 Conditions of use



**WARNING!**

*Only approved personnel can change device settings. Keep a report of changes to the device settings. These reports must include the date, the menu item (e.g. 2.3.1 TANK HEIGHT), the old parameter and the new parameter.*

The configuration is protected with a password. For more data on password protection and device configuration, refer to the “Operation” chapter in the handbook (document [N1]).

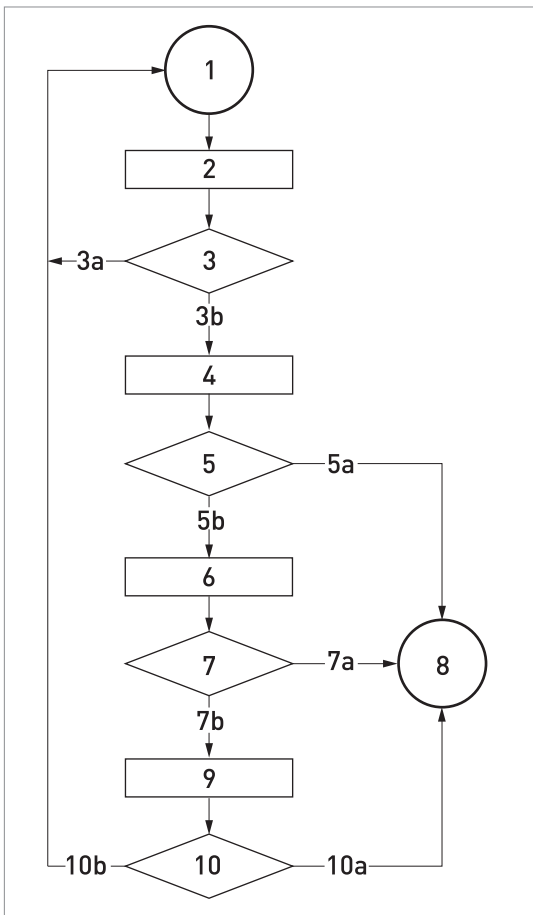
## 7.2 Failure state

For any type of safe or dangerous detected failure, the device sets the current output to less than 3.6 mA. Although this value can also be set to a high error value ( $\geq 21$  mA), some hardware failures will always cause the device to give a low error value ( $\leq 3.6$  mA). Thus, the output signal for the fail-safe condition is less than 3.6 mA. For more data, refer to *Limits for supervisor menu functions related to device configuration* on page 17 (2.4.2 RANGE I).

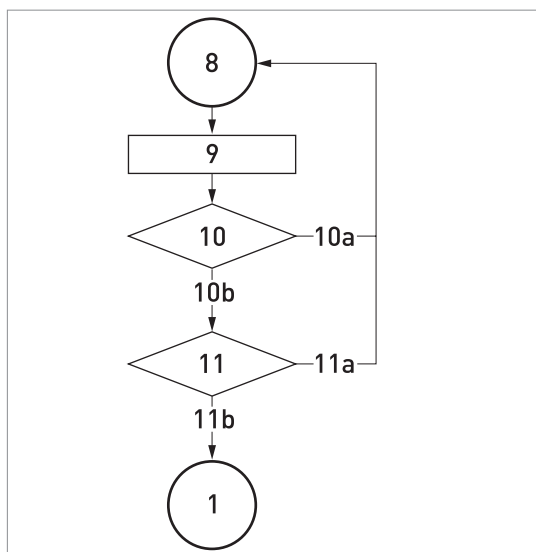
### 7.3 Operation mode

In operational conditions, the device continuously measures the distance between the tank connecting flange face / thread stop and the surface of the product.

The operation mode of the device is shown in the flow chart that follows:



- 1 Initial state (start the device / new measurement)
- 2 Make sure that sufficient energy is available
- 3 Is there sufficient energy?
- 3a No. There is not sufficient energy.
- 3b Yes. There is sufficient energy.
- 4 The device does an auto-diagnostic check at intervals of 24 hours
- 5 Is there an error condition?
- 5a Yes. There is an error condition.
- 5b No. There is not an error condition.
- 6 Distance measurement
- 7 Is a correct measurement available?
- 7a No. A correct measurement is not available.
- 7b Yes. A correct measurement is available.
- 8 Error mode state
- 9 Current output (distance value or a derived measurement value)
- 10 Is the current output setting correct?
- 10a No. The current output setting is incorrect.
- 10b Yes. The current output setting is correct.



- 8 Error mode state  
 9 Current output (error value)  
 10 Is the current output setting correct?  
 10a No. The current output setting is incorrect.  
 10b Yes. The current output setting is correct.  
 11 Is a new correct measurement available?  
 11a No. A correct measurement is not available.  
 11b Yes. A correct measurement is available.  
 1 Initial state (new measurement)

## 7.4 Error conditions

The device can sense the error conditions in the table that follows. When the device detects a measurement error, it supplies an output current at the error signal current value.

| Error condition                                | Cause  |
|--|--|
| Device does not start immediately              | This error occurs if more than 20 seconds are necessary to start the device.   |
| The current output is incorrectly calibrated   | Do a current output check. For the procedure, refer to <i>Current output check</i> on page 24. If the values do not agree with the tolerances given in the procedure, speak to the supplier. |
| Component hardware errors                      | Memory failure   |
|  | Voltage failure  |
|  | No signal  |
|  | Microwave failure  |
| Ambient temperature is too high                | The ambient temperature is more than +80°C / +176°F.   |
| Ambient temperature is too low                 | The ambient temperature is less than -40°C / -40°F.  |
| Incorrect measurement signal (e.g. level lost) | The signal peak is not found within the measuring window that filters the signals received by the antenna. The measurement is not correct.   |
| Overfill                                       | The level is in the blocking distance. If menu item 2.5.3 OVERFILL EN. is set to "YES", there is a risk that the product will overflow and cover the antenna.                                |

For more data, refer to the "Status and error messages" section in the handbook (document [N1]).

## 7.5 User parameters



### **INFORMATION!**

If you change a parameter in one or more of the menu items that follow, this will have an effect on the safety function.

### 7.5.1 Limits for supervisor menu functions related to antenna configuration



### **WARNING!**

If the device was delivered without an antenna, then calibrate the device to make sure that the safety function operates correctly. For more data, refer to Calibration procedure on page 23.



### **CAUTION!**

This section gives data on the modification of a small number of parameters in the 2.0.0 SUPERVISOR menu. If it is necessary to change parameters in the 3.0.0 SERVICE menu or the 4.0.0 MASTER menu, contact your supplier.

If you change the values of one or more of the parameters given in the "User parameters" section, this can have an unwanted effect on the safety function. Do a check of the safety function after you change a parameter.



### **INFORMATION!**

#### **Safety function check**

Make sure that the 4...20mA measurement range is correctly calibrated.



### **LEGAL NOTICE!**

The manufacturer declines all responsibility for the correct operation of the safety function if these parameters in the 3.0.0 SERVICE or 4.0.0 MASTER menus are changed by the customer.

| Menu No. | Function      | Function description   | Selection list                                      | Default value and comments |
|----------|---------------|--|---|----------------------------|
| 2.3.4    | STILLWELL EN. | If this menu item is set to "YES", then you must give the stilling well height and inner diameter in menu items 2.3.5 STILLWELL D. and 2.3.6 STILLWELL H..   | YES, NO   | NO                         |
| 2.3.5    | STILLWELL D.  | The inner diameter of the stilling well. If the device is installed in a stilling well or has a Wave-Guide antenna, enter the diameter. The device will use this data if you set 2.3.4 STILLWELL EN. to "YES". This menu item is not shown if you set 2.3.4 STILLWELL EN. to "NO". | min-max:<br>22...999 mm / 0.9...39.3"               | ①                          |
| 2.3.6    | STILLWELL H.  | The height of the stilling well. If the device is installed in a stilling well or has a Wave-Guide antenna, enter the height. The device will use this data if you set 2.3.4 STILLWELL EN. to "YES". This menu item is not shown if you set 2.3.4 STILLWELL EN. to "NO".           | min:<br>500 mm / 19.7"<br>max:<br>2.3.1 TANK HEIGHT | ①                          |



| Menu No. | Function    | Function description   | Selection list   | Default value and comments |
|----------|-------------|--|--|----------------------------|
| 2.3.7    | ANTENNA.EXT | Optional antenna extensions. These are attached between the flange and the antenna.  | min:<br>0 mm / 0"<br>max:<br>2000 mm / 78.7" or<br>2.3.1 TANK HEIGHT | ①                          |
| 2.3.8    | ANTENNA.TYP | Type of antenna. For more data, refer to the "Technical data" chapter in the handbook.   | PP Horn, PTFE Horn, Metal. Horn, Wave Stick, Wave Guide              | ①                          |
| 2.3.9    | DIST.PIECE  | Optional distance piece between the converter and the process connection. This is for high-temperature applications more than +150°C / +302°F. The distance piece is 120 mm / 4.7" long. For more data, refer to the "Technical data" chapter in the handbook. | min:<br>0 mm / 0"<br>max:<br>2.3.1 TANK HEIGHT                       | ①                          |

① This value is given in the customer order data

## 7.5.2 Limits for supervisor menu functions related to device configuration



### CAUTION!

- 2.6.1 HART ADDRESS is set to "0". If it is not set to "0", the safety function will not operate correctly.
- 2.4.2 RANGE I is set to "4-20 / 3.6E" or "3.8-20.5 / 3.6E". If the error signal is set to "22 mA" or "Hold", the safety function will not operate correctly.
- 2.5.4 MEASUR.MODE is set to "Direct". If the error signal is set to "TBF Partial" or "TBF Full", the safety function will not operate correctly.
- 2.2.1 SET OUTPUT is not shown on the device display or in PACTware™. If SET OUTPUT is shown, the output will change to the set test value, independent of the measured value. The current output will go back to the measured value when the user makes the display or PACTware™ go back to the menu level.

| Menu No. | Function     | Function description  | Selection list   | Default value and comments                   |
|----------|--------------|---|--|--|
| 2.3.1    | TANK HEIGHT  | The distance from the tank connecting flange face / thread stop down to the tank bottom.  | min-max:<br>1...30 m /<br>3.3...98.4 ft                | Default value agrees with the customer order |
| 2.4.1    | OUTPUT FUNC. | The output function. Select an output function to scale the current values in relation to a given point (usually the device process connection or the tank bottom). The output current value is shown on a bar graph in normal mode if the measurement name is the same as the output function. Conversion parameters are shown if there is volume or mass data in 2.8.1 INPUT TABLE. | Distance, Level, Distance conversion, Level conversion | Default value agrees with the customer order |

| Menu No. | Function    | Function description   | Selection list   | Default value and comments                   |
|----------|-------------|--|--|--|
| 2.4.2    | RANGE I     | This parameter sets the range of the output current with (3.8...20.5 mA) or without (4...20 mA) over-run values. It also tells the device what to do if an error occurs. For example, the device will change to an error value of 3.6 mA if you set RANGE I to "3.8-20.5/3.6E".  | 4-20, 4-20 / 22E, 4-20 / 3.6E, 3.8-20.5 / 22E, 3.8-20.5 / 3.6E | 3.8-20.5 / 3.6E ①                            |
| 2.4.3    | SCALE 4mA   | This gives a measurement value to 4 mA.  | min-max: ②   | Default value agrees with the customer order |
| 2.4.4    | SCALE 20mA  | This gives a measurement value to 20 mA.   | min-max: ②   | Default value agrees with the customer order |
| 2.4.5    | ERROR DELAY | The time after which the current output changes to an error value. The error value shows that there is a measurement error. MN=minutes and S=seconds.  | 0 S, 10 S, 20 S, 30 S, 1 MN, 2 MN, 5 MN, 15 MN                 | 0 S ③  |
| 2.5.4    | MEASUR.MODE | The device uses the dielectric constant ( $\epsilon_r$ ) of the tank contents to monitor level. In direct mode (if the dielectric constant is high), the level signal is a reflection on the surface of the tank contents. If the dielectric constant is low, the device uses TBF mode. The device in TBF mode uses the radar reflection on the bottom of the tank (the signal goes through the tank contents). The tank must have a flat bottom for the device to operate correctly in TBF mode. This menu item is set by default to "Direct" for tank contents with an $\epsilon_r > 1.8$ . If $\epsilon_r$ is very low ( $< 1.6$ ), use "TBF Full". If $\epsilon_r$ is low ( $\epsilon_r = 1.5 \dots 1.7$ ), use "TBF Partial" mode. "TBF Partial" is an automatic mode that lets the device make a selection between "Direct mode and "TBF" mode. If you use "TBF Full" or "TBF Partial", enter the dielectric constant in menu item 2.5.3 Er PRODUCT. | Direct, TBF Partial, TBF Full                                  | Direct<br><b>Do not change.</b>              |

| Menu No. | Function     | Function description   | Selection list                      | Default value and comments  |
|----------|--------------|--|-------------------------------------|-----------------------------|
| 2.5.5    | OVERF. ENAB. | If this function is in operation, the device will monitor the level even if it is in the blocking distance. The reading shown on the display stays fixed at the blocking distance if the level is higher than the blocking distance. The output will show that the tank is full. An error is recorded by default.<br>If this function is not in operation, the device looks for the largest signal between the process connection and the tank bottom.   | YES, NO                             | NO ④                        |
| 2.5.6    | MULT.REF.EN. | Multiple reflections will cause the device to display smaller level readings. Objects in the tank, sharp corners, installation of the device on a large nozzle or at the centre of a dome roof, and low dielectric products ( $\epsilon_r = 1.8...5$ ) can cause multiple reflections. A very calm surface or a tank with a small convex or flat roof can also cause multiple reflections. If this function is in operation, the device looks for the first signal peak below the process connection. This signal peak is then used to measure the level of the tank contents. If this function is not in operation, the device looks for the largest signal below the process connection. | YES, NO                             | NO                          |
| 2.5.7    | EMP.SPEC.EN. | The supervisor can start or stop the empty spectrum filter.  | YES, NO                             | NO                          |
| 2.5.9    | HART ADDRESS | Any HART® address more than 0 will activate HART® multidrop mode.<br><b>Multidrop mode is not permitted for SIL-approved devices.</b>  | min-max:<br>0...63                  | 0.<br><b>Do not change.</b> |
| 2.8.1    | INPUT TAB.   | The device uses the conversion table to convert distance or level measurements to volume and mass readings. The readings are shown in normal mode.   | min-max:<br>0...30 conversion pairs | 0                           |

① Use only "4-20 / 3.6E" or "3.8-20.5 / 3.6E"

② Units and range depend on the output function, length unit and volume unit selected

③ If the safety function must immediately give a result, we recommend that you do not change this value

④ This menu item does a continuous check for radar reflections between the blocking distance (value set in menu item 2.3.2) and the flange. But condensation or other sources of parasitic signals can cause an "overflow" error. If you set this menu item to "YES", make sure that there are no sources of parasitic signals near to the flange.

## 8.1 Periodic maintenance

You must obey the maintenance instructions given in the handbook (document [N1]).

## 8.2 Keep the device clean

For more data, refer to "Service" in the handbook (document [N1]).

## 8.3 Availability of services

The manufacturer offers a range of services to support the customer after expiration of the warranty. These include repair, maintenance, technical support and training.



### **INFORMATION!**

*For more precise information, please contact your local sales office.*

## 8.4 Proof tests

It is necessary to do proof tests to make sure that the safety function is applicable to the full measuring range.

- The device settings must be correct. If a parameter is incorrect, the device will not measure correctly.
- The electronic components must not be defective.
- The software programs (firmware etc.) must operate correctly.
- The antenna must correctly transmit and receive the measurement signal. Parasitic signals must not have an effect on the performance of the device.

We recommend that you do a proof test immediately after you install and start the device.



### **WARNING!**

*SIS engineers must calculate the interval of proof tests. The minimum time between proof tests must be less than 5 years, but the interval between proof tests must also agree with the safety system used on site.*

Prepare the device for the proof tests. Do a check of the device parameters.



### **CAUTION!**

- *Proof tests done by the customer must be equivalent or more difficult than the tests given in this section.*
- *Keep a report of each proof test. These reports must include the date, the tests results (performance of the safety function or faults found), a list of approved personnel who did the test and the report revision number. These reports must be put into storage and made easily available. A proof test report form (for copying) is available on page 33.*
- *The location of the device and how it is installed on the tank can have an effect on the performance. Make sure that you obey the installation instructions given in the handbook.*

**Equipment needed:**

- Device with the integrated display option
- Process measurement and device configuration software (e.g. the DTM for PACTware™), if the device does not have the integrated display option
- Ammeter
- Reference device: an approved level meter or indicator

**Do a check of the 4 mA and the 20 mA settings:**

- Find the data for the 4 mA and the 20 mA settings in the SIS specification.
- Enter the supervisor menu. For more data on how to get access to the supervisor menu, refer to the "Operation" chapter of the handbook (document [N1]).
- Push [➤] to go to menu item COMMISSION. (2.1.1). Push 4 × [➤] to see the SCALE 4mA value.
- ➡ If the SCALE 4mA value does not agree with the SIS specification, make sure that this data is correct. If necessary, change the value and record the new value in the proof test report.
- Push [➤] to see the SCALE 20mA value.
- ➡ If the SCALE 20mA value does not agree with the SIS specification, make sure that this data is correct. If necessary, change the value and record the new value in the proof test report.

**Do a check of the tank height:**

- Measure the height of the tank (or the depth of the pit).
- Enter the supervisor menu. For more data on how to get access to the supervisor menu, refer to the "Operation" chapter of the handbook (document [N1]).
- Push [➤] to go to menu item COMMISSION. (2.1.1). Push [➤] to see the TANK HEIGHT value.
- ➡ Make sure that the value shown agrees with the tank height. If necessary, change the value and record the new value in the proof test report.

**CAUTION!**

*DID YOU CHANGE THE VALUES OF THE SUPERVISOR MENU FUNCTIONS GIVEN IN THE "USER PARAMETERS" SECTIONS?*

*If you change the values in supervisor menu items 2.4.2 RANGE I and 2.6.1 HART ADDRESS, the manufacturer cannot guarantee that the safety function will operate correctly. For more data, contact your supplier.*

**Do a check of the device settings:**

- Enter the supervisor menu. For more data on how to get access to the supervisor menu, refer to the "Operation" chapter of the handbook (document [N1]).
- Push [▲], [▲], [▲], [➤] and [▲] to go to menu item RANGE I (2.4.2). Push [➤] to see the value.
- ➡ Make sure that the current output range is set to "4-20 / 3.6E" or "3.8-20.5 / 3.6E". If necessary, change the value and record the new value in the proof test report.
- Push [◀], [◀], [▲], [➤], [▲], [▲] and [▲] to go to menu item MEASUR.MODE (2.5.4). Push [➤] to see the parameter.
- ➡ Make sure that the measurement mode is set to "Direct". If necessary, change the parameter and record the new parameter in the proof test report.
- Push [◀], [◀], [▲] and [➤] to go to menu item HART ADDRESS (2.6.1). Push [➤] to see the value.
- ➡ Make sure that this menu item is set to 0. If the value is not set to 0, the safety function will not operate correctly.



### Do a check of the low error alarm signal:

- Enter the supervisor menu. For more data on how to get access to the supervisor menu, refer to the "Operation" chapter of the handbook (document [N1]).
- Push [▲] and [>] to go to menu item SET OUTPUT (2.2.1).
- Do a functional test of the low error alarm signal. Set the menu item SET OUTPUT (2.2.1) to **3.5 mA**.
- ➔ The output will change to 3.5 mA. This output is not related to the measured value. Does the device give a "low error" alarm signal? If there is no alarm signal, the safety function will not operate correctly.



### INFORMATION!

*The device is set to the "low" error alarm signal before delivery.*



### Measure the level and current output of the product in the tank at 3 points (example procedure given):

- Find the data for the 4 mA and the 20 mA settings in the SIS specification.
- Fill the tank to the maximum level (without overflow). Measure the level of the product in the tank with an approved level meter or indicator (reference device).
- Measure the output current with an ammeter.
- ➔ If the menu item OUTPUT FUNC. (2.4.1) is set to **Level**, make sure the output current value is 20 mA. If the menu item OUTPUT FUNC. (2.4.1) is set to **Distance**, make sure the output current value is 4 mA.
- Remove the product from the tank until it is 50% full. Measure the level of the product in the tank with an approved level meter or indicator (reference device).
- Measure the output current with an ammeter.
- ➔ Make sure the output current value is 12 mA.
- Remove the product from the tank to the minimum level. Measure the level of the product in the tank with an approved level meter or indicator (reference device).
- Measure the output current with an ammeter.
- ➔ If the menu item OUTPUT FUNC. (2.4.1) is set to **Level**, make sure the output current value is 4 mA. If the menu item OUTPUT FUNC. (2.4.1) is set to **Distance**, make sure the output current value is 20 mA.



### INFORMATION!

*Make sure that the current output value linearly decreases from 20 mA to 4 mA, if the menu item OUTPUT FUNC. (2.4.1) is set to **Level**. Make sure that the current output value linearly increases from 4 mA to 20 mA, if the menu item OUTPUT FUNC. (2.4.1) is set to **Distance**. The distance between 2 points in the tank must be as large as possible. We recommend that there is a space of at least 1 m / 3.3 ft between 2 points in the tank.*

You can adapt this procedure to special conditions. For example, if you use the safety function to prevent an overflow, it is not necessary to remove the product from the tank to the minimum level. It is only necessary to measure the level and current output of the product in the tank when it is full (without overflow) and 50% full.

## 8.5 Calibration procedure

### 8.5.1 General notes

If the antenna is not in the same customer order as the signal converter, it is necessary to calibrate the device.

#### Equipment needed

- A device with the integrated display option.
- Process measurement and device configuration software (e.g. the DTM for PACTware™), if the device does not have the integrated display option.
- An ammeter.
- Reference device: an approved level meter or indicator

#### Requirements

- The ammeter must be correctly calibrated and connected directly to device.
- You must have 2 reference points (levels) in the tank given by a different measurement solution. These points are identified as "ref\_pt1" and "ref\_pt2".



#### **CAUTION!**

*Do not connect the ammeter across the safety system PLC because this configuration can open the circuit breaker.*

*Make sure that the 2 reference points are not in the top or bottom dead zones.*

## 8.5.2 Current output check



### Do a check of the current output value: 4 mA

- Energize the device.
- Enter the Supervisor menu.
- Push [➤], [▲] and [➤] to go to menu item 2.2.1 SET OUTPUT. Push [➤] and then push [▲] or [▼] to move up or down the list to set the output to 4 mA.
- ➡ The output will change to the set value after 5 seconds, as an alternative to the measured value. The current output stays at this value while you are in this menu item.
- Measure the current output at the terminals with an ammeter. Does the ammeter show a current output of  $4 \text{ mA} \pm 400 \mu\text{A}$ ?
- Push [←] to go back to the menu list.
- ➡ The current output goes back to the measured value.
- End of the procedure.



### Do a check of the current output value: 12 mA

- Push [➤] and then push [▲] or [▼] to move up or down the list in menu item 2.2.1 SET OUTPUT to set the output to 12 mA.
- ➡ The output will change to the set value after 5 seconds, as an alternative to the measured value. The current output stays at this value while you are in this menu item.
- Measure the current output at the terminals with an ammeter. Does the ammeter show a current output of  $12 \text{ mA} \pm 400 \mu\text{A}$ ?
- Push [←] to go back to the menu list.
- ➡ The current output goes back to the measured value.
- End of the procedure.



### Do a check of the current output value: 20 mA

- Push [➤] and then push [▲] or [▼] to move up or down the list in menu item 2.2.1 SET OUTPUT to set the output to 20 mA.
- ➡ The output will change to the set value after 5 seconds, as an alternative to the measured value. The current output stays at this value while you are in this menu item.
- Measure the current output at the terminals with an ammeter. Does the ammeter show a current output of  $20 \text{ mA} \pm 400 \mu\text{A}$ ?
- Push [←] to go back to the menu list.
- ➡ The current output goes back to the measured value.
- End of the procedure.



### **CAUTION!**

*If the values do not agree with the tolerances, then the data supplied by device will not be correct. For a solution to the problem, speak to the supplier.*



### 8.5.3 Measuring range check (in process conditions)

The complete device (the signal converter, the process connection and the antenna) is installed on the tank in process conditions. We recommend that you use this procedure to do a measuring range check.



**CAUTION!**

*Make sure the accuracy of the calibrated device agrees with the safety loop requirement. The accuracy of the device must also agree with the reference conditions given in the "SIL-specific technical data" section.*



**Procedure**

- Attach the signal converter to the antenna. For more data, refer to the "How to replace device components" section in the handbook.
- Change the level of the tank contents until you have level reference point 1 (**ref\_pt1**). Use the test device to make sure that you have level reference point 1. We recommend that the location of this point is 33% of the measuring range (from the bottom of the tank).
- Measure the level at reference point 1 with the reference device (refer to "Equipment needed" on page 23). Record the value (**meas\_pt1**).
- Change the level of the tank contents until you have level reference point 2 (**ref\_pt2**). Use the test device to make sure that you have level reference point 2. We recommend that the location of this point is 66% of the measuring range (from the bottom of the tank).
- Measure the level at reference point 2 with the reference device (refer to "Equipment needed" on page 23). Record the value (**meas\_pt2**).
- End of the procedure.

The tolerance is  $\pm 5$  mm / 0.2" in reference conditions. If the difference between **ref\_pt1** and **meas\_pt1** and between **ref\_pt2** and **meas\_pt2** agrees with the safety loop tolerance, then the results of the test are satisfactory. If the 2 values do not agree with the tolerance, then the results of the test are unsatisfactory. To change the device settings to get satisfactory results, speak to the supplier.

For more data about reference conditions, refer to *SIL-specific technical data* on page 29.

## 8.6 Troubleshooting

**INFORMATION!**

- *Modifications to the device are not permitted.*
- *Only approved personnel can repair the device.*

If you find a problem, please contact your local representative. If the device must go back to the manufacturer, refer to "Returning the device to the manufacturer" in this supplement.

## 8.7 Returning the device to the manufacturer

### 8.7.1 General information

This device has been carefully manufactured and tested. If installed and operated in accordance with these operating instructions, it will rarely present any problems.

**CAUTION!**

*Should you nevertheless need to return a device for inspection or repair, please pay strict attention to the following points:*

- *Due to statutory regulations on environmental protection and safeguarding the health and safety of the personnel, the manufacturer may only handle, test and repair returned devices that have been in contact with products without risk to personnel and environment.*
- *This means that the manufacturer can only service this device if it is accompanied by the following certificate (see next section) confirming that the device is safe to handle.*

**CAUTION!**

*If the device has been operated with toxic, caustic, flammable or water-endangering products, you are kindly requested:*

- *to check and ensure, if necessary by rinsing or neutralising, that all cavities are free from such dangerous substances,*
- *to enclose a certificate with the device confirming that is safe to handle and stating the product used.*

## 8.7.2 Form (for copying) to accompany a returned device

|   |   |                |  |
|---|---|----------------|--|
| Company:  |   | Address:       |  |
| Department:   |   | Name:          |  |
| Tel. no.:   |   | Email address: |  |
| Manufacturer's order no. or serial no.:   |   |                |  |
| The device has been operated with the following medium:   |   |                |  |
| This medium is:   | radioactive   |                |  |
|   | water-hazardous   |                |  |
|   | toxic   |                |  |
|   | caustic   |                |  |
|   | flammable   |                |  |
|   | We checked that all cavities in the device are free from such substances. |                |  |
|   | We have flushed out and neutralized all cavities in the device.           |                |  |
| We hereby confirm that there is no risk to persons or the environment through any residual media contained in the device when it is returned. |   |                |  |
| Date:   |   | Signature:     |  |
| Stamp:  |   |                |  |

## 9.1 General notes

The device agrees with these conditions in the IEC 61508 standard:

| Condition  | Description  |
|--|--|
| The device operates in high demand or continuous mode of operation ① | The device continuously measures the distance to the surface of the product in the tank. If electrical power is not available or is not sufficient, the device will not measure. The safety function is continuously available to keep the device in a safe state. |
| The device is a type B system  | The device uses programmable electronics embedded in complex components (a microcontroller). It is not possible to find all the failure modes for this type of component.  |
| The device has a hardware fault tolerance of zero (HFT = 0)          | The device does not have hardware redundancy.  |

① This agrees with IEC 61508 Part 4, section 3.5.16

## 9.2 Assumptions

**FMEDA is applicable for the conditions that follow:**

- Use of the device agrees with its design and performance characteristics. This includes ambient and process conditions.
- Installation of the device must agree with the instructions and the requirements of the application.
- We can ignore wear of mechanical parts. Failure rates are constant.
- Failures that follow one after the other are put in the same group as the failure that is the source of the problem.
- The HART® protocol is only used for set-up, calibration and diagnostic purposes. It is not used during safety operation mode.
- All components that are not part of the safety function and cannot influence the safety function (feedback immune) are not included.
- Only the analog output (4...20 mA) is used for safety applications.
- The Mean Time to Recovery after safe failure is 72 hours (MTTR = 72 h).
- If necessary, the device can operate as a safety-related system in a low-demand mode of operation.
- External power failure rates are not included.



### **INFORMATION!**

*The FMEDA of the device was calculated with the exida tool FMEDA v7.1.17, with the configuration that follows:*

- *Database SN 29500*
- *Ambient temperature is 40° C*
- *T[Proof] is from 1 to 10 years (87600 hours)*
- *T[Repair] is 72 hours*
- *T[Test] is 24 hours (all internal test functions are done a minimum of one time during this period)*

### 9.3 Characteristics for the device safety function

| Version               | Non-Ex / Ex i                                  | Ex d  |
|-----------------------|--|---|
| Firmware version      | Converter: 1.00.10; Sensor: 1.00.15            |   |
| Board version         | Converter: 40003424010;<br>Sensor: 4001025501M | Converter: 40003424010;<br>Sensor: 4001025501M<br>Ex d barrier: 4000512701H |
| Systematic capability | 2  | 2   |
| Architecture          | 1oo1D (daily auto-diagnostic checks)           |   |
| PFH                   | $6.49 \times 10^{-8}$                          | $1.08 \times 10^{-7}$   |
| SFF                   | 94.1%  | 91%   |
| $\lambda_{SD}$        | $1.1 \times 10^{-8}$                           | $8.58 \times 10^{-8}$   |
| $\lambda_{SU}$        | $5.57 \times 10^{-7}$                          | $5.57 \times 10^{-7}$   |
| $\lambda_{DD}$        | $5.31 \times 10^{-7}$                          | $6.41 \times 10^{-7}$   |
| $\lambda_{DU}$        | $6.49 \times 10^{-8}$                          | $1.08 \times 10^{-7}$   |
| DC <sub>D</sub>       |  | 86%   |
| MTBF                  | 97 years                                       | 81 years  |

If it is necessary to use the device in a low demand mode (as specified in document [N2]), refer to the table below. For example, the device can be used to give a warning if an error signal occurs. The table shows the change of PFD<sub>AVG</sub> with a T[Proof] between 1 to 10 years:

| Year:                                 | 1                     | 2                     | 3                     | 4                     | 5                     | 6                     | 7                     | 8                     | 9                     | 10                    |
|---------------------------------------|-----------------------|-----------------------|-----------------------|-----------------------|-----------------------|-----------------------|-----------------------|-----------------------|-----------------------|-----------------------|
| PFD <sub>AVG</sub><br>(Non-Ex / Ex i) | $2.87 \times 10^{-4}$ | $5.72 \times 10^{-4}$ | $8.54 \times 10^{-4}$ | $1.14 \times 10^{-3}$ | $1.42 \times 10^{-3}$ | $1.71 \times 10^{-3}$ | $1.99 \times 10^{-3}$ | $2.28 \times 10^{-3}$ | $2.56 \times 10^{-3}$ | $2.84 \times 10^{-3}$ |
| PFD <sub>AVG</sub><br>(Ex d)          | $4.73 \times 10^{-4}$ | $9.46 \times 10^{-4}$ | $1.42 \times 10^{-3}$ | $1.89 \times 10^{-3}$ | $2.36 \times 10^{-3}$ | $2.83 \times 10^{-3}$ | $3.31 \times 10^{-3}$ | $3.78 \times 10^{-3}$ | $4.25 \times 10^{-3}$ | $4.72 \times 10^{-3}$ |

For more data, refer to *Proof tests* on page 20.

### 9.4 SIL-specific technical data



**INFORMATION!**

*This data is for SIL-approved devices only. For more data about device characteristics and performance, refer to "Technical data" in the technical datasheet, quick start or handbook (document [N1]).*

#### Measuring system

|                          |   |
|--------------------------|---|
| Measuring principle      | 2-wire loop-powered level transmitter; X-band (10 GHz) FMCW radar |
| Application range        | Level measurement of liquids, pastes and slurries                 |
| Primary measured value   | Distance and reflection measurement of 1 product                  |
| Secondary measured value | Distance, level, volume, mass and flow rate                       |

**Design**

|                     |   |
|---------------------|---|
| Antenna options     | All basic antenna options   |
| Interface languages | English, German, French, Italian, Spanish, Portuguese, Japanese, Chinese (simplified) and Russian |

**Accuracy**

|  |   |
|--|---|
| Resolution                                     | 1 mm / 0.04"  |
| Repeatability                                  | ±1 mm / ±0.04"  |
| Accuracy                                       | ±5 mm / ±0.2", when distance < 10 m / 33 ft;<br>±0.05% of measured distance, when distance > 10 m / 33 ft |
| <b>Reference conditions acc. to EN 61298-1</b> |   |
| Temperature                                    | +15...+25°C / +59...+77°F   |
| Pressure                                       | 1013 mbara ±50 mbar / 14.69 psia ±0.73 psi  |
| Relative air humidity                          | 60% ±15%  |
| Target   | Metal plate in an anechoic chamber (0...7 m / 0...23 ft)  |

**Operating conditions**

|                                      |   |
|--------------------------------------|---|
| <b>Temperature</b>                   |   |
| Ambient temperature                  | -40...+80°C / -40...+175°F (according to the temperature limits of the gasket material. Refer to "Materials" in this table.)<br>Ex: see supplementary operating instructions or approval certificates |
| <b>Pressure</b>                      |   |
| Operating pressure                   | <b>PP Wave Horn antenna:</b><br>-1...16 barg / -14.5...232 psig. For more data refer to "Technical Data / Pressure Ratings" in the handbook.  |
|                                      | <b>PTFE Wave Horn antenna:</b><br>-1...40 barg / -14.5...580 psig. For more data refer to "Technical Data / Pressure Ratings" in the handbook.  |
|                                      | <b>Metallic Horn antenna / Wave Guide antenna:</b><br>Standard: -1...40 barg / -14.5...580 psig;<br>subject to the process connection used and the flange temperature. Higher pressure on request.    |
| <b>Other conditions</b>              |   |
| Dielectric constant ( $\epsilon_r$ ) | Direct mode: ≥1.8<br>TBF mode: ≥1.1<br>Refer also to "Technical data: Antenna selection".   |

**Material**

|                                 |  |
|---------------------------------|--|
| Housing (compact version only)  | Standard: Aluminium with a polyester topcoat   |
|                                 | Option: Stainless steel (1.4404 / 316L)  |
| Wetted parts, including antenna | PTFE Wave Horn antenna: PTFE   |
|                                 | PP Wave Horn antenna: PP   |
|                                 | Metallic Wave Horn and Wave Guide antennas: Stainless steel (1.4404 / 316L) and PTFE - refer also to "Gaskets" |
| Process connection              | PP Wave Horn antenna: PP   |
|                                 | PTFE Wave Horn antenna: Stainless steel (1.4404 / 316L) with a PTFE plate / lining                             |
|                                 | Metallic Horn antenna: Stainless steel (1.4404 / 316L); other materials on request                             |
|                                 | Wave Guide antenna: Stainless steel (1.4404 / 316L)  |

## Electrical connections

|              |   |
|--------------|---|
| Power supply | <b>Terminals output - Non-Ex / Ex i:</b><br>12...30 VDC; min./max. value for an output of 22 mA at the terminal |
|              | <b>Terminals output - Ex d:</b><br>16...36 VDC; min./max. value for an output of 22 mA at the terminal          |

## Input and output

|                             |  |
|-----------------------------|--|
| <b>Current output</b>       |  |
| Resolution                  | ±3 µA  |
| Error signal                | Low: ≤ 3.6 mA acc. to NAMUR NE 43<br>High: ≥ 21 mA acc. to NAMUR NE 43   |
| Error tolerance             | If an error is >2.5% of the output signal, this error has a "dangerous undetected failure" status.   |
| <b>HART®</b>                |  |
| Description                 | HART® protocol via passive current output ①  |
| Point-to-point operation    | Yes. Current output = 4 mA. HART® Address = 0. Output current data that is transmitted in less than 1 ms is ignored (this data filter agrees with HART® protocol requirements).  |
| Multidrop operation         | Multidrop operation is not permitted because the current output (safety function) must be set to 4 mA. Thus, the safety function cannot supply data about the device status.   |
| <b>PROFIBUS PA</b>          |  |
| Description                 | Not yet available. This option is not permitted.   |
| <b>FOUNDATION™ Fieldbus</b> |  |
| Description                 | Not yet available. This option is not permitted.   |
| <b>Modbus</b>               |  |
| Description                 | Not yet available. This option is not permitted.   |
| <b>Other data</b>           |  |
| Response time (errors)      | Response time = value given in supervisor menu item 2.4.5 ERROR DELAY<br>If electrical power is not sufficient for correct operation of the device (worst conditions for operation), the error is shown in less than 30 seconds. |
| Diagnostic test frequency   | 1 time / day (firmware does an auto-diagnostic test)   |

## Approvals and certification

|     |   |
|-----|---|
| SIL | SIL 2 ②                                 |
|     | Agrees with IEC 61508:2010 Parts 1 to 7 |

① HART® is a registered trademark of the HART Communication Foundation

② When only one liquid is in the tank

## 9.5 Support for SIL-approved devices

If the manufacturer makes a modification that has an effect on the safety function of the device, the manufacturer will tell you about the modification immediately.

### 10.1 Start-up report



**WARNING!**

*Complete the start-up checklist before you energize the device.*

Please complete this start-up checklist and return it to the manufacturer.

|  | Yes        | No |
|--|------------|----|
| Are the polarity and the supply voltage correct?   |            |    |
| Ex-approved devices only: does the device and the installation agrees with the requirements of the Ex certificate of compliance? |            |    |
| Are all the wetted components (antenna, flange and gaskets) resistant to the product in the tank?                                |            |    |
| Does the information on the signal converter nameplate agree with the operating data?  |            |    |
| Are the process temperature and pressure in the limits for operation of the device?  |            |    |
| Did you correctly install the device on the tank?  |            |    |
| Do the electrical connections agree with the national electrical codes?  |            |    |
| I hereby confirm that I have completed the start-up checklist.   |            |    |
| Date:  | Signature: |    |
| Stamp:   |            |    |



## 10.2 Proof test report form (for copying)



### CAUTION!

Complete the report form that follows when you do a proof test.

For more data, refer to *Proof tests* on page 20.

|  |       |
|--|-------|
| Recorded by:                           | Date: |
| Unique device ID (e.g. serial number): |       |

| Parameter value check |                     |                           |          |      |
|-----------------------|---------------------|---------------------------|----------|------|
|                       | Proof tests results |                           |          |      |
|                       | Recorded value      | Correct value             | Approved |      |
| 2.3.1 TANK HEIGHT     |                     | Correct tank height       | [Yes]    | [No] |
| 2.4.3 SCALE 4mA       |                     | 4.000 mA $\pm$ 3 $\mu$ A  | [Yes]    | [No] |
| 2.4.4 SCALE 20mA      |                     | 20.000 mA $\pm$ 3 $\mu$ A | [Yes]    | [No] |
| 2.4.2 RANGE I         |                     | Error value= 3.6 mA ①     | [Yes]    | [No] |
| 2.6.1 HART ADDRESS    |                     | HART address= 0 ②         | [Yes]    | [No] |

① The error value is correct if the menu item is set to "4-20/3.6E" or "3.8-20.5/3.6E"

② Multidrop is not permitted for SIL-approved devices

| Functional check            |                     |                             |          |      |
|-----------------------------|---------------------|-----------------------------|----------|------|
|                             | Proof tests results |                             |          |      |
|                             | Recorded value      | Correct value               | Approved |      |
| Error alarm signal < 3.6 mA |                     | < 3.6 mA                    | [Yes]    | [No] |
| Current output= 4 mA ①      |                     | 4 mA $\pm$ 400 $\mu$ A      | [Yes]    | [No] |
| Current output= 12 mA ②     |                     | 12.000 mA $\pm$ 400 $\mu$ A | [Yes]    | [No] |
| Current output= 20 mA ③     |                     | 20.000 mA $\pm$ 400 $\mu$ A | [Yes]    | [No] |

① The tank is full when menu item 2.4.1 OUTPUT FUNC.= Distance. The tank is empty when menu item 2.4.1 OUTPUT FUNC.= Level.

② The tank is 50% full.

③ The tank is full when menu item 2.4.1 OUTPUT FUNC.= Level. The tank is empty when menu item 2.4.1 OUTPUT FUNC.= Distance.

| Conclusion  |       |      |
|---|-------|------|
| Does the device operate satisfactorily in safety-related systems? | [Yes] | [No] |
| Signature:  |       |      |





Hycontrol Ltd  
Larchwood House  
Orchard Street  
Redditch  
Worcestershire B98 7DP  
United Kingdom  
Tel: +44 (0) 1527 406800  
Fax: +44 (0) 1527 406810  
Email: [sales@hycontrol.com](mailto:sales@hycontrol.com)  
Web: [www.hycontrol.com](http://www.hycontrol.com)  
Company registered in England No: 1755684