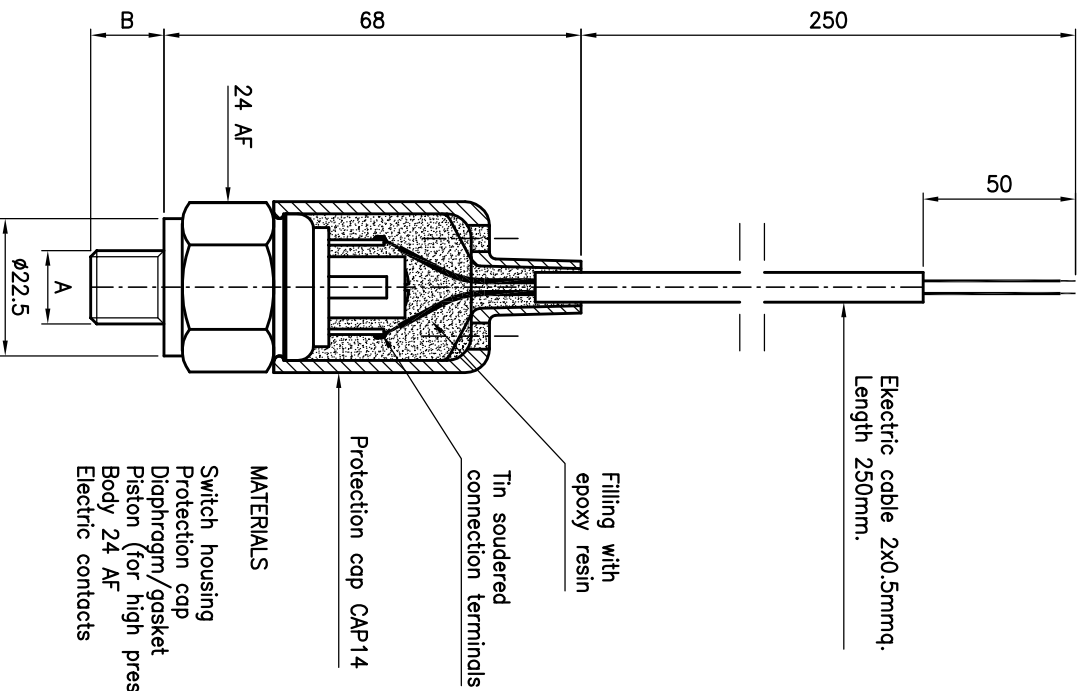


# ADJUSTABLE PRESSURE SWITCH TYPE PMN.....C4



**MATERIALS**  
 Switch housing  
 Protection cap  
 Diaphragm/gasket  
 Piston (for high pressure)  
 Body 24 AF  
 Electric contacts

nylon 6.6  
 santoprene  
 see table  
 AISI316 stainless steel  
 see table  
 silver plated copper (3 microns)

**TECHNICAL DATA**  
 Max. voltage  
 Max. intensity of current  
 Temperature range  
 Protection with CAP14  
 Max. cycle rate at 25°C  
 Max. cycle rate at 25°C  
 Mechanical life  
 Strength test  
 Tightening torque

48 Vac/dc  
 0.5 (0.2) A  
 according to diaphragm/gasket material  
 IP67  
 200/1' (diaphragm type)  
 80 / 1' (piston type)  
 10<sup>6</sup> operations  
 1500 V - 10 mA - 10"  
 max. 5 Kgm.

